

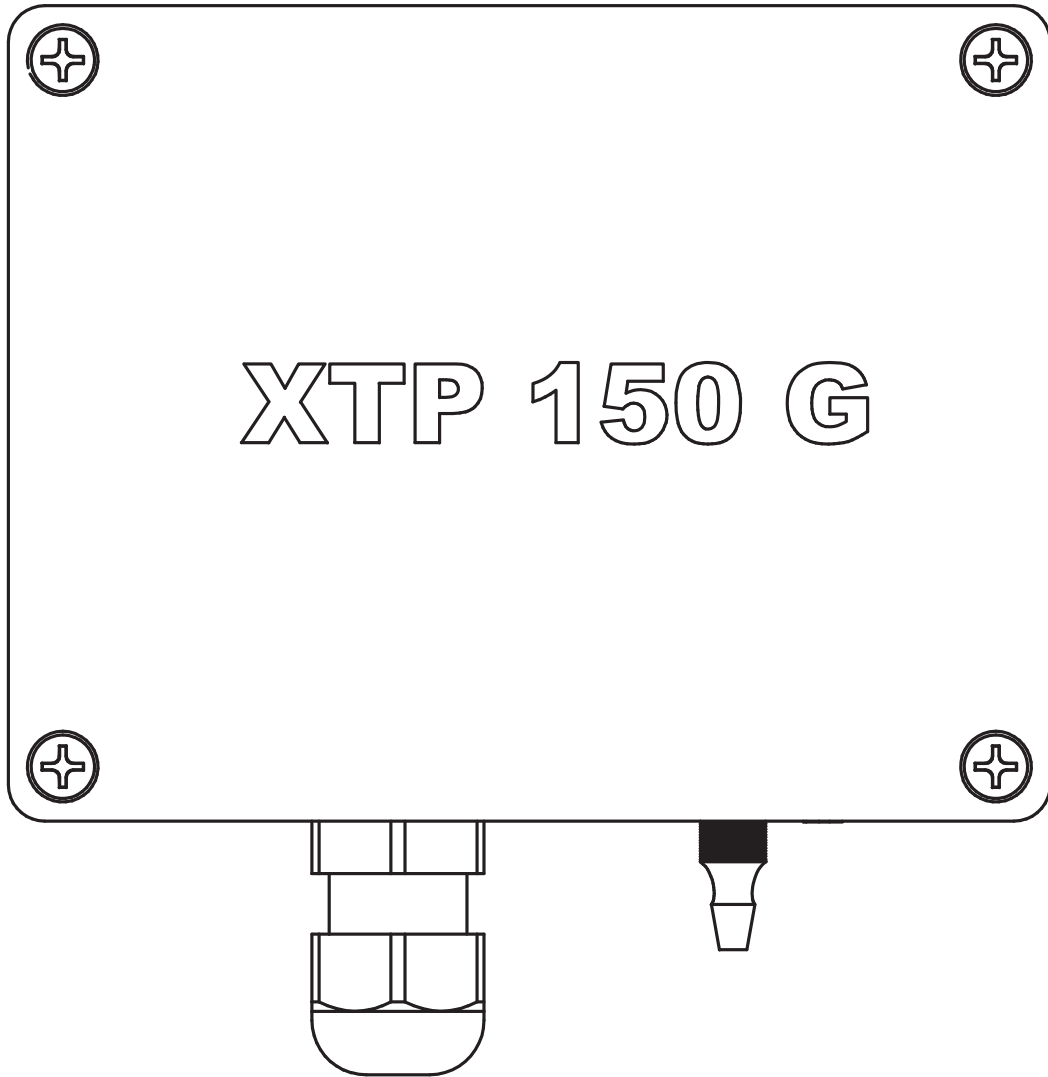
Accessory

# XTP150G



UK | Read and save these instructions!

**exodraft**  
Your energy. Optimized.



XTP 150 G

## Accessory | XTP150G

# Content

---

<b>Product information</b>	<b>7</b>
Scope of supply	7
Warranty	7
Technical specifications	8
Construction and components	9
<b>Installation</b>	<b>11</b>
Fitting	11
Electrical wiring	12
<b>Operation and configuration</b>	<b>13</b>
Troubleshooting	13
<b>UK Conformity Assessed</b>	<b>14</b>
<b>Declaration of Conformity</b>	<b>15</b>



## How to use this manual

*This manual has been prepared based on the specific product and contains relevant technical information and installations guides.*

*Accessories and spare parts are not covered by this manual. Please refer to the individual manuals of these components.*

*This installation manual does not contain any system design documentation.*

*Failure to observe instructions marked with a danger symbol may result in personal injury and/or damage to the product.*

**Errors and omissions excepted.**



## Disposal

Electrical and electronic equipment (EEE) often contain materials, components and substances that may harm the environment or be hazardous to your health. Products (WEEE) marked with the 'crossed-out wheeled bin' symbol should be disposed of separately from other waste at the end of its life. Though legislation may differ from country to country we strongly advise that electrical and electronic waste is separated from other waste and disposed of according to national legislation to protect the environment and personnel that may come into contact with waste.

# Symbols

The following symbols may be used in the manual to draw attention to danger or risk of personal injury or damage to the product.



## General prohibition

Failure to observe instructions marked with the prohibited symbol may result in extreme danger or serious personal injury.



## General attention

Marks a dangerous situation that, in the worst-case scenario, can cause serious personal injury or significant damage to the product.



## General warning

Failure to observe instructions marked with a danger symbol may result in personal injury and/or damage to the product.



## Electricity hazard/High Voltage

Marks a situation in which caution is advised due to the risk of high voltage electric shock which can cause serious personal injury or significant damage to the product.



## Connect an earth terminal to the ground

Failure to observe instructions marked with a danger symbol may result in personal injury and/or damage to the product.



## Permitted and approved

Permitted and approved method of installation.



## Prohibited and not approved

Prohibited and not approved method of installation.



## Warning

To minimise the risk of fire, electric shock, personal injury and/or damage to the product please observe the following:

- Please read the manual before you start using the product and only use the product in accordance with the manufacturer's instructions. If in doubt, contact one of our specialized dealers.
- All installations must be carried out by properly qualified personnel and in accordance with national legislation and regulations.
- In order to avoid chimney fires, ensure that the chimney has been swept before mounting the fan.
- Prior to servicing the product, disconnect the power and ensure that it cannot accidentally be reconnected.
- Exodraft always recommends the use of a smoke alarm when a solid fuel fireplace is installed.

## Product information

XTP150G is a high-precision pressure transducer specially developed for gas systems. It can also be used with oil-fired or solid-fuel systems.

In order to comply with the provisions of the Gas Appliances Directive 90/396/EEC:

- XTP150G must be connected to an EBC22 or
- XTP150G must be connected to a third party automatic gas control system with built-in “fail safe” inputs (GAD)

Incorrect use may result in problems with soot, chimney fires, etc. which might damage the product. Please check out this site for advice about the product:

[www.exodraft.com](http://www.exodraft.com)

## Scope of supply

- XTP150G
- Silicone hose Ø 5 mm
- Installation manual and user instructions

## Warranty

All Exodraft products are covered by a 2-year guarantee as per European consumer rights legislation. For some countries an extended period of guarantee may apply depending on either national legislation or other clearly stipulated conditions. Customer complaints must be handled by a specialised dealer or wholesaler (preferably where the Exodraft product has been bought originally). An updated list of Exodraft specialised dealers can be found on our website for the country in question.

Exodraft products must always be installed by properly qualified personnel. Exodraft reserves the right to change these guidelines without prior notice.

The warranty and liability does not cover instances regarding personal injury or damage to property or the product that can be ascribed to one or more of the following causes:

- Failure to follow this installation and operation manual
- Incorrect installation, start-up, maintenance or servicing
- Improper repairs
- Unauthorised structural modifications made to the product
- Installation of additional components that have not been tested/approved with the product
- Any damage resulting from continued use of the product despite an evident defect
- Failure to use original spareparts and accessories
- Failure to use the product as intended
- Exceeding or failure to meet the limit values in the technical data
- Force majeure

# Technical specifications

## Technical data

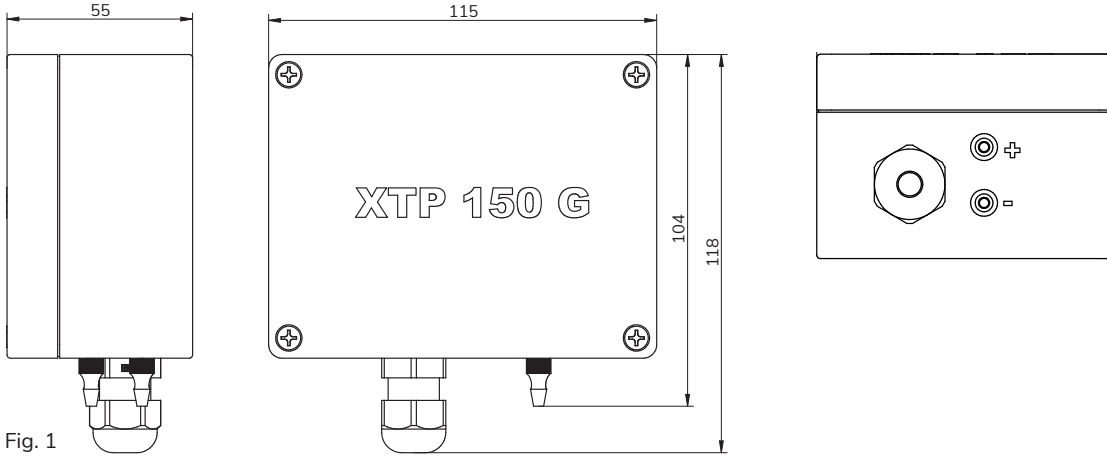


Fig. 1

Description	XTP150G
H x W x D [mm]	90 x 115 x 55
Weight	237 g
Material:	Box: Light grey polycarbonat (PC)
Ingress Protection	IP65
Pressure range	15 Pa – 150 Pa +/- 0.1% Full scale

Ambient temperature	-25 °C – +50 °C
Storage temperature:	-25 °C – +50 °C
Connection terminals:	Screw: max. 1.5 wire
Cable length	Max. 100 m, min. 0.75 wire

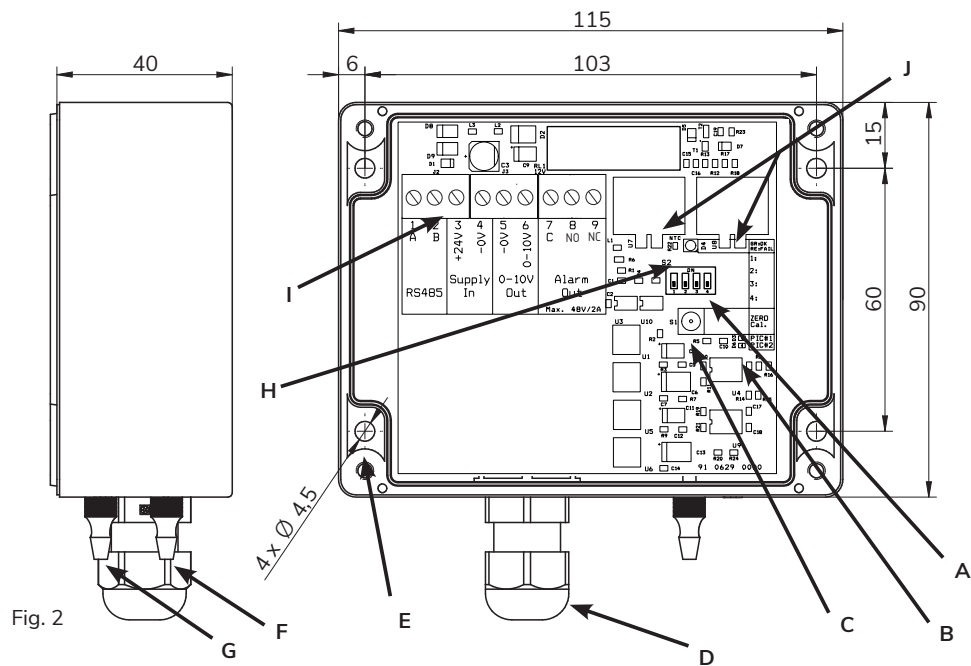
Description	Inputs
Supply	15 V DC – 35 V DC
Power Consumption, absolut max:	< 75 mA
Power Consumption, nominal	60 mA

Description	Miscellaneous
Tolerable overload	20.000 Pa
Medium	Air and exhaust gases
Response time	< 0.2s
Resolution from digital sensor	0.01Pa
Repeatability	+/- 0.1 % Full scale
Combined non-linearity and hysteresis	+/- 0.05 % Full scale
Offset longtime drift 1 year	+/- 0.7 Pa max.
Temperature drift	+/- 1.0 % Full scale
Transfer ratio	0.6 (250 Pa signal/150 Pa output)

Description	Outputs
Output	0-10 V DC, max. 10 mA
Alarm relay output (max)	48 V/2 A
Alarm relay contact materiel	AgCdO



## Construction and components




A	DIP switch	F	(-) Valve (P2)
B	Operating LED	G	(+) Valve (P1)
C	Zero-point calibration button	H	Status LED
D	Cable connector	I	Connecting terminals
E	Mounting holes	J	Pressure transducer


The XTP150G is certified by GASTEC and have the certification number

PIN: 0063 BU1711

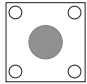
Key to fig. 2-A

DIP switch	Setting	Function	Factory setting	OFF	ON
	1	Calibration enabled	OFF	Calibration not possible	Calibration possible
	2	Not used	OFF		
	3	Not used	OFF		
	4	Not used	OFF		

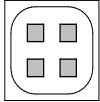
Key to fig. 2-B

Operating LED	Indication	Function
	Flashing YELLOW	Processor OK
	Constant YELLOW	Unit is not working
	Not lit	Unit is not working

Key to fig. 2-C

Zero-point calibration button	To activate	Function
	Press and hold for 5 s	Calibration of zero point

Key to fig. 2-D

Operating LED	Indication	Function
	Constant GREEN	Normal operation
	Flashing RED	Alarm (or DIP switch 1 is ON)

# Installation

## Fitting

The XTP150G must be fitted with the hose connectors facing down.

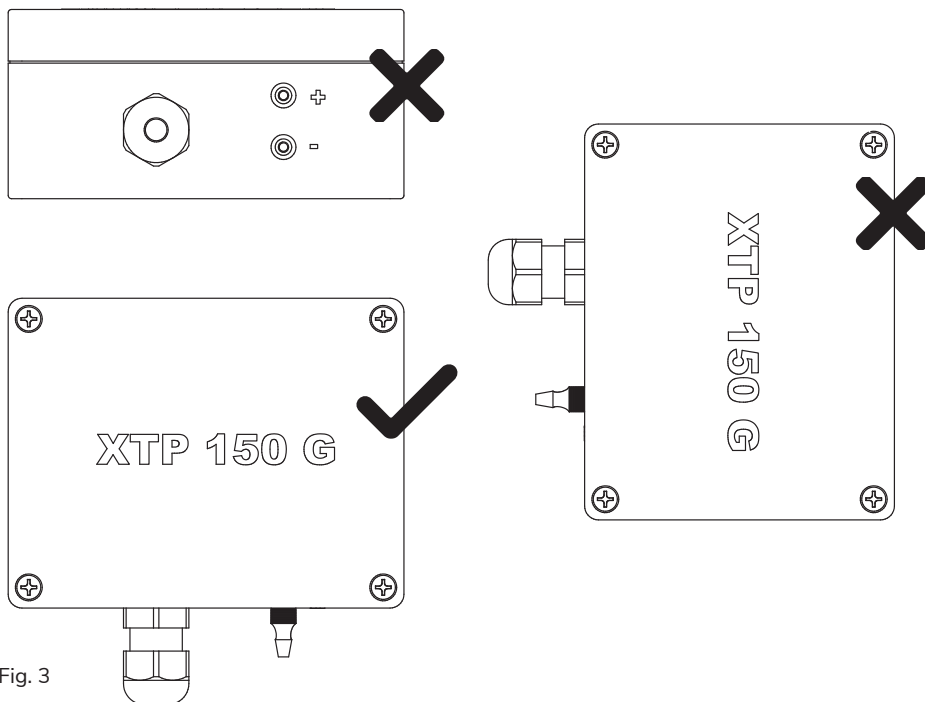


Fig. 3

For negative-pressure measurement, fit the pressure hose to the (-) valve (fig. 2-F)

For positive-pressure measurement, fit the pressure hose to the (+) valve (fig. 2-G)

## Outdoor

If there is a risk of adverse effect from strong winds, the hose located inside the XTP150 can be removed from the (+) valve. Interfilter should be fitted to the external (+) valve. The filter is not supplied by Exodraft.

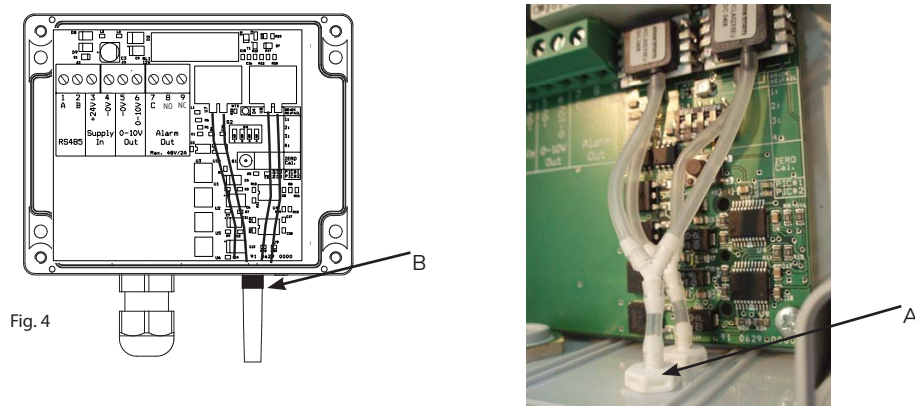


Fig. 4



Do not blow into the valves on the XTP150

## Electrical wiring



**ATTENTION!** Electrical wiring of the controller must be carried out in accordance with national legislation and regulations. Earth must always be connected.

### Terminals

XTP150G is connected to the screw terminals as shown below.

1	2	3	4	5	6	7	8	9
A	B	+24V	0V	0V	0-10V	C	NO	NC
RS485		Supply In		0-10V Out		Alarm Out		

Terminal	Description
1	BUS connection
2	BUS connection
3	+24 V DC Supply in
4	- 0 V DC Supply in
5	- 0 V DC Signal out
6	0-10 V DC Signal out
7	C – Common
8	NO – Relay is open
9	NC – Relay is closed

**NB!** Max. 100 metre cable, min. 0.75 wire.

## Operation and configuration

Calibration should only be carried out if a positive value is registered on the 0–10 V output, when the connection hose is disconnected.

### How to calibrate the XTP150G sensor

- Disconnect the connection hose
- Set DIP switch 1 to ON (fig. 2-A)
- Press and hold button for 5 seconds (fig. 2-C)
- Release button
- Set DIP switch 1 to OFF (fig. 2-A)

## Troubleshooting

Observation	Operating LED (Fig. 2-B)	Status LED (Fig. 2-H)	Solution
Unit cannot be calibrated		Constant GREEN	Set DIP switch 1 to ON. Status LED changes to flashing RED
Operating LED not flashing (fig. 2-B)	No change		<ul style="list-style-type: none"> <li>• Check 24 V connection at terminals 3+4</li> <li>• Check polarity (– / – and + / +)</li> <li>• Disconnect power for 5 seconds</li> <li>• Reconnect power.</li> </ul>
Status LED flashing (fig. 2-H)		Flashing RED	<ul style="list-style-type: none"> <li>• Check DIP switch 1 is OFF</li> <li>• Check hose connection on the transducer (fig. 2-K)</li> <li>• Unit is faulty</li> </ul>



**UK Conformity Assessed**

---



**Exodraft a/s  
Industrivej 10  
DK-5550 Langeskov**

---

Hereby declares that the following products:

---

XTP150G

---

Were manufactured in conformity with the provisions of the following regulations:

---

**The Supply of Machinery (Safety) Regulations 2008**

**Electrical Equipment (Safety) Regulations 2016**

**Electromagnetic Compatibility Regulations 2016**

---

Langeskov, 01-11-2022  
Managing Director  
Anders Haugaard



## Declaration of Conformity

DK: EU-Overensstemmelseserklæring  
 GB: Declaration of Conformity  
 DE: EU-Konformitätserklärung  
 FR: Déclaration de conformité de l'Union Européenne  
 NO: EU-Samsvarserklæring  
 PL: EU Deklaracja zgodności

NL: EU-Conformiteits verklaring  
 SE: EU-Överensstämmelsedeklaration  
 FI: EU-Vaatimustenmukaisuusvakuutus  
 IS: ESS-Samræmisstaðfesting  
 IT: Dichiarazione di Conformità Unione Europea

**exodraft**

**Exodraft a/s**  
**Industrivej 10**  
**DK-5550 Langeskov**

Erklærer på eget ansvar, at følgende produkter:  
 Hereby declares that the following products:  
 Erklärt hierdurch auf eigene Verantwortung, daß folgende Produkte:  
 Déclare, sous sa propre responsabilité, que les produits suivants:  
 Erklærer på eget ansvar at følgende produkter:  
 Niniejszym oświadczam, że następujące produkty:

Veklaart dat onderstaande producten:  
 Deklarerar på eget ansvar, att följande produkter:  
 Vastaa siltä, että seuraava tuote:  
 Staðfesti à eigin àbyrgð, að eftirfarandi vörur:  
 Dichiaro con la presente che i seguenti prodotti:

XTP150G

Som er omfattet af denne erklæring, er i overensstemmelse med følgende standarder:  
 Were manufactured in conformity with the provisions of the following standards:  
 Die von dieser Erklärung umfaßt sind, den folgenden Normen:  
 Auxquels s'applique cette déclaration sont en conformité avec les normes ci-contre:  
 Som er omfattet av denne erklæring, er i samsvar med følgende standarder:  
 Zostały wyprodukowane zgodnie z warunkami określonymi w następujących normach:

Zijn vervaardigd in overeenstemming met de voorschriften uit de hieronder genoemde normen en standaards:  
 Som omfattas av denna deklaration, överensstämmer med följande standarder:  
 Jota tämä selvitys koskee, on seuraavien standardien mukainen:  
 Sem eru meðalín í staðfestingu Pessari, eru í fullu samræmi við eftirtalda staðla:  
 Sono stati fabbricati in conformità con le norme degli standard seguenti:

### EN 60335-1, EN 60335-2-80, DS/EN ISO 12100: 2011

I.h.t bestemmelser i direktiv:  
 In accordance with  
 Entsprechen gemäß den Bestimmungen der folgenden Richtlinien:  
 Suivant les dispositions prévues aux directives:  
 I.h.t bestemmelser i direktiv:  
 Zgodnie z:

En voldoen aan de volgende richtlijnen:  
 Enligt bestämmelserna i följande direktiv:  
 Seuraavien direktiivien määräysten mukaan:  
 Med tilvisun til ákvarðana eftirlits:  
 In conformità con le direttive:

Maskindirektivet:  
 The Machinery Directive:  
 Richtlinie Maschinen:  
 Directive Machines:  
 Maskindirektivet:  
 Dyrektywę maszynową:

De machinerichtlijn:  
 Maskindirektivet  
 Konedirektiivi:  
 Vælaeftirlitið:  
 Direttiva Macchinari:

### 2006/42/EF/-EEC/-EWG/-CEE

Lavspændingsdirektiv:  
 The Low Voltage Directive:  
 Niederspannungsrichtlinie:  
 Directive Basse Tension:  
 Lavspenningsdirektivet:  
 Dyrektywę Niskonapięciową

De laagspanningsrichtlijn:  
 Lågspänningsdirektivet:  
 Pienjännitedirektiivi:  
 Smáspennueftirlitið:  
 Direttiva Basso Voltaggio:

### 2014/35/EC

EMC-direktivet:  
 And the EMC Directive:  
 EMV-Richtlinie:  
 Directive Compatibilité Electromagnétique:  
 EMC-direktivet:  
 Dyrektywę EMC – kompatybilności elektromagnetycznej

En de EMC richtlijn:  
 EMC-direktivet:  
 EMC-direktiivi:  
 EMC-efirlitið:  
 Direttiva Compatibilità Elettromagnetica:

### 2014/30/EC

**Langeskov, 01-11-2022**  
 Adm. direktør  
 Managing Director  
 Anders Haugaard

Algemeen directeur  
 Geschäftsführender Direktor  
 Président Directeur Général  
 Verkställande direktör  
 Toimitusjohtaja  
 Framkvemdastjóri  
 Direttore Generale

## **DK: Exodraft a/s**

Industrivej 10  
DK-5550 Langeskov  
Tel: +45 7010 2234  
Fax: +45 7010 2235  
info@exodraft.dk  
www.exodraft.dk

## **SE: Exodraft a/s**

Valhallavägen 9A  
SE-375 30 Mörrum  
Tel: +46 (0)8-5000 1520  
info@exodraft.se  
www.exodraft.se

## **NO: Exodraft a/s**

Storgaten 88  
NO-3060 Svelvik  
Tel: +47 3329 7062  
info@exodraft.no  
www.exodraft.no

## **UK: Exodraft Ltd.**

24 Janes Meadow, Tarleton  
GB-Preston PR4 6ND  
Tel: +44 (0)1494 465 166  
Fax: +44 (0)1494 465 163  
info@exodraft.co.uk  
www.exodraft.co.uk

## **DE: Exodraft a/s**

Niederlassung Deutschland  
Industriestraße 14  
DE-55768 Hoppstädten-Weiersbach  
Tel: +49 6782 989 590  
Fax: +49 6782 989 5929  
info@exodraft.de  
www.exodraft.de

## **FR: Exodraft sas**

78, rue Paul Jozon  
FR-77300 Fontainebleau  
Tel: +33 (0)6 3852 3860  
info@exodraft.fr  
www.exodraft.fr