

UK

Relay box ES12-EU-01

exodraft

1. Product information

ES12 is a relay box used for multiple boiler appliances with EBC control where intermittent operation of the chimney fan (On/Off) is required. Provided that one of the four thermostat inputs is being activated, the relay box – with the EBC control – will control the chimney draught. In case of a fault, the EBC control will cut out the relay box ES12 including all connected boilers.

2. Function

When one of the four boilers calls for heat, the chimney fan starts by means of the ES12 and EBC control.

By sufficient chimney draught, the boiler(s) are released for operation. If the draught falls under minimum, all boilers will stop.

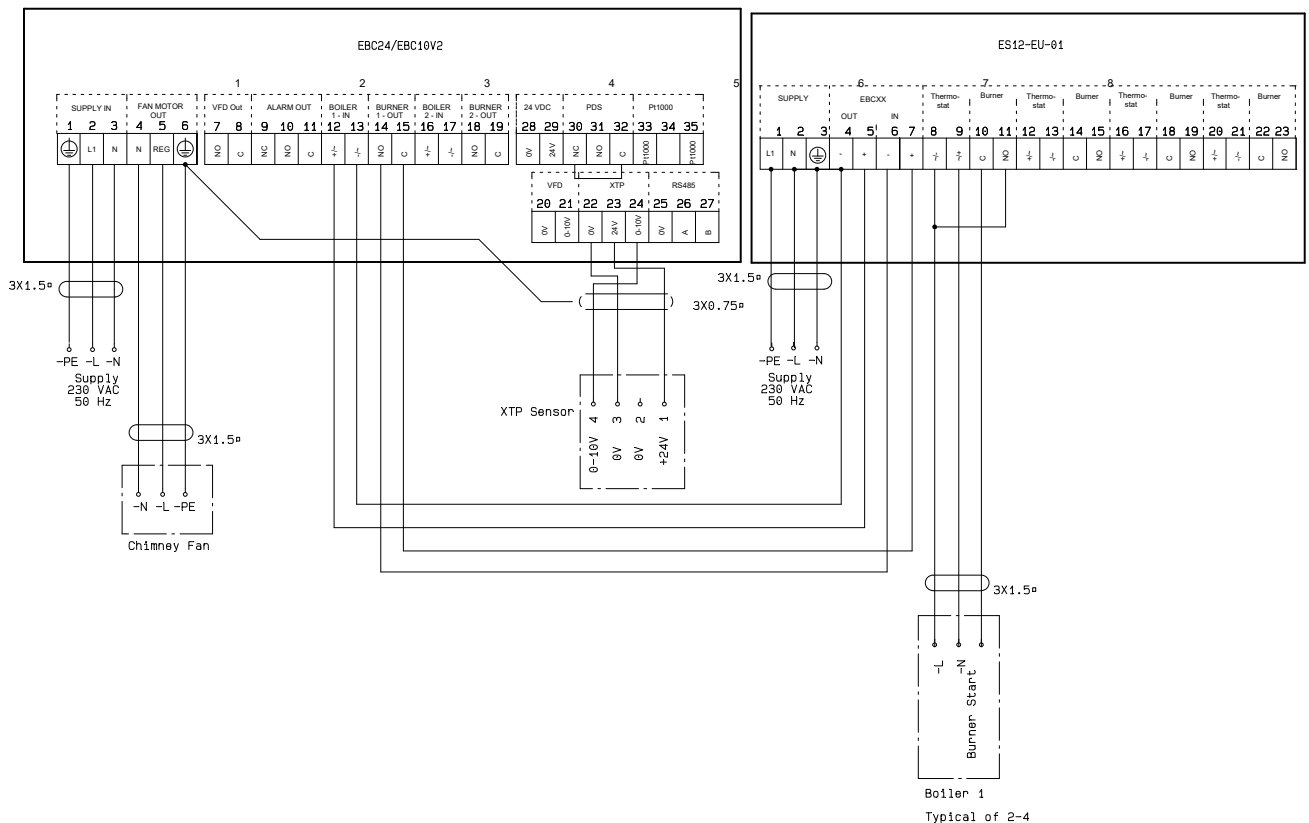
On and off operation of the four boilers can take place independently.

All in- and outputs have a LED for fail-safe supervision and servicing the system.

3. Terminals ES12EU01

1. Supply L1
2. Supply N
3. Supply PE
4. Voltage signal (-) to thermostat input EBC control
5. Voltage signal (+) to thermostat input EBC control
6. Release from EBC control
7. Release from EBC control
8. Boiler thermostat 1. Opto coupler (-) (10-230 V AC / DC)
9. Boiler thermostat 1. Opto coupler (+) (10-230 V AC / DC)
10. Burner 1 relay switch Common
11. Burner 1 relay switch Normally Open
- 12 - 23. Boiler thermostat 2 - 4

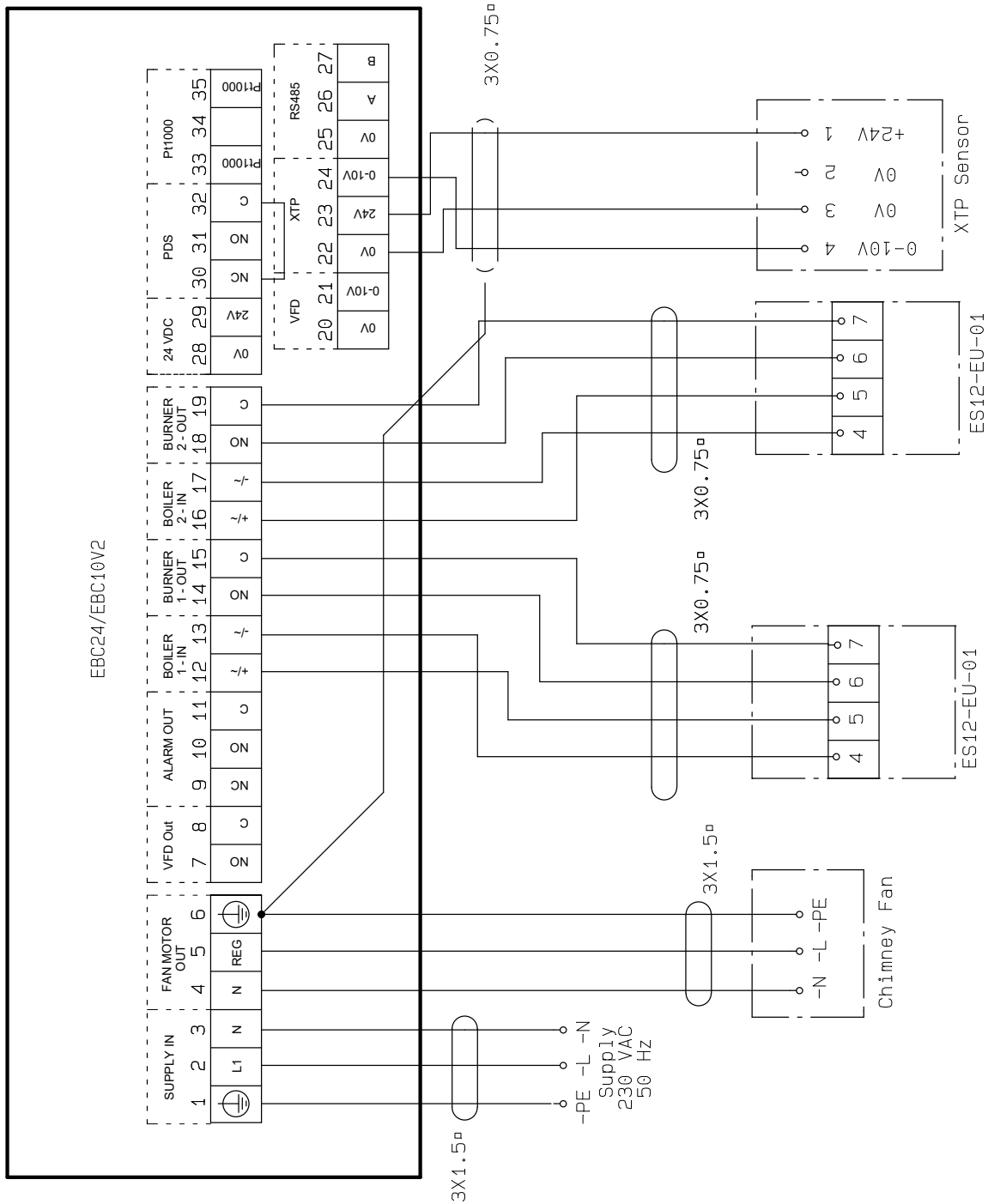
3.1 Connecting ES12 to EBC control



4. Technical data ES12-EU-01

Height x width x depth:	125 mm x 175 mm x 75 mm
Degree of protection:	IP54
Material:	ABS box and polycarbonate cover
Supply voltage:	230 V AC ± 10 %
Ambient temperature:	-20 °C to 50 °C
Boiler output relay:	Max. 8 A/230 V

Installation example: two ES12 boxes connected to EBC control





DK: exodraft

C. F. Tietgens Boulevard 41
DK-5220 Odense SØ
Tel: +45 7010 2234
Fax: +45 7010 2235
info@exodraft.dk
www.exodraft.dk

SE: exodraft

Årnäsvägen 25B
SE-432 96 Åskloster
Tlf: +46 (0)8-5000 1520
Fax: +46 (0)340-62 64 42
info@exodraft.se
www.exodraft.se

NO: exodraft

Storgaten 88
NO-3060 Svelvik
Tel: +47 3329 7062
Fax: +47 3378 4110
info@exodraft.no
www.exodraft.no

UK: exodraft

Unit 4B, Lancaster Ct.
Coronation Road
Cressex Business Park
GB-High Wycombe HP12 3TD
Tel: +44 (0)1494 465 166
Fax: +44 (0)1494 465 163
info@exodraft.co.uk
www.exodraft.co.uk

DE: exodraft

Soonwaldstraße 6
DE-55569 Monzingen
Tel: +49 (0)6751 855 599-0
Fax: +49 (0)6751 855 599-9
info@exodraft.de
www.exodraft.de