

## Flange system - for chimney fans

The **exodraft** flange system has been developed for steel chimneys to ensure that the chimney fan is placed on a flat surface.

The flange creates a stable and safe transition between the chimney and chimney fan.

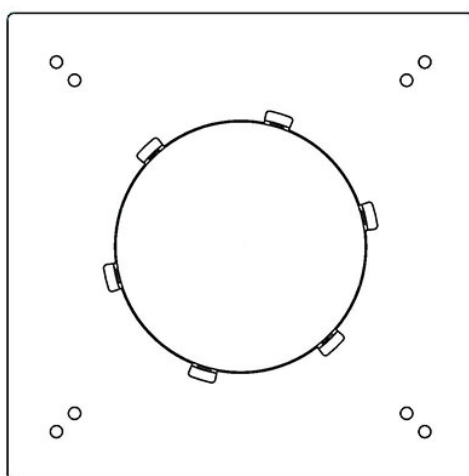
It is made of stainless steel and includes a set of four anti vibration bolts that reduces vibrations between the chimney fan and the chimney.

The **exodraft** flanges are available in various standard sizes that fit most steel chimneys.

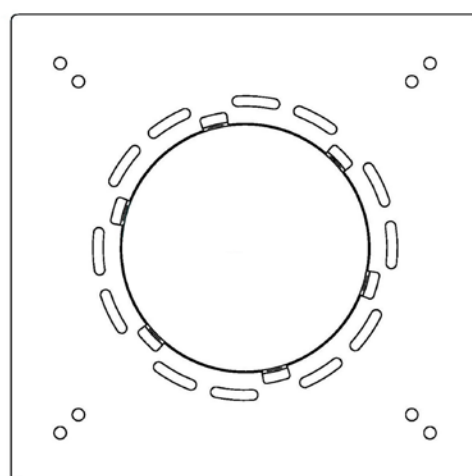
If the standard range does not fit your chimney, other sizes are available upon request.

The FR flange fits all chimney fans with a square base plate.

The FR-02 flange fits chimney fans with an octagonal base plate.



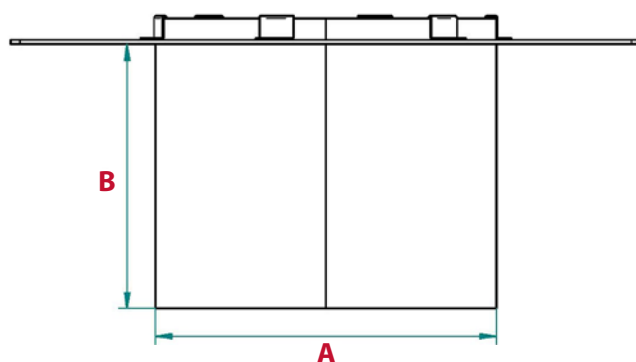
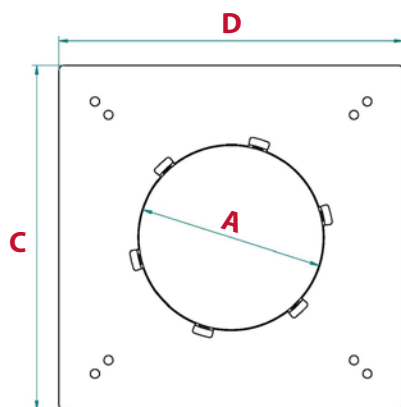
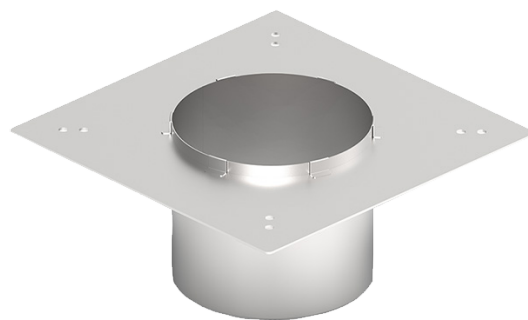
Standard flange



Flange with drainage

## FR1 Standard

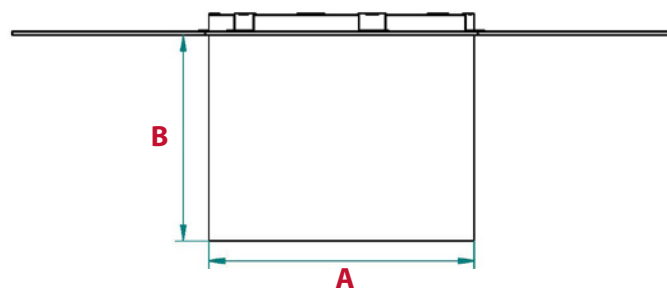
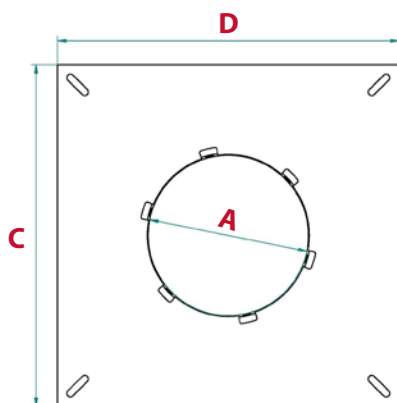
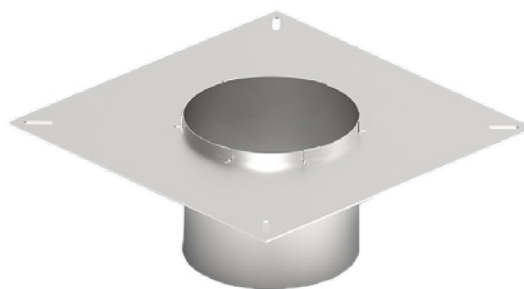
Suitable for chimney fan model:  
RSV009 and RSV160



Product no.	Sales no.	Shape	Chimney width (mm)	A (mm)	B (mm)	C (mm)	D (mm)
FR1100	FR1100	Square	Ø100	Ø97	113,8	272	272
FR1110	FR1110	Square	Ø110	Ø107	113,8	272	272
FR1120	FR1120	Square	Ø120	Ø117	113,8	272	272
FR1125	FR1125	Square	Ø125	Ø122	113,8	272	272
FR1130	FR1130	Square	Ø130	Ø127	113,8	272	272
FR1150	FR1150	Square	Ø150	Ø147	113,8	272	272
FR1160	FR1160	Square	Ø160	Ø157	113,8	272	272
FR1175	FR1175	Square	Ø175	Ø172	113,8	272	272
FR1180	FR1180	Square	Ø180	Ø177	113,8	272	272
FR1190	FR1190	Square	Ø190	Ø187	113,8	272	272
FR1200	FR1200	Square	Ø200	Ø197	113,8	272	272
FR1250	FR1250	Square	Ø250	Ø247	113,8	272	272

## FR2 Standard

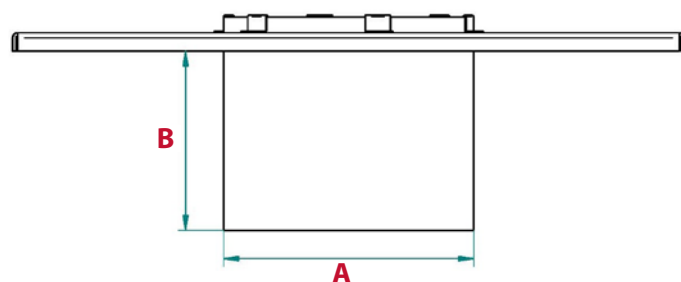
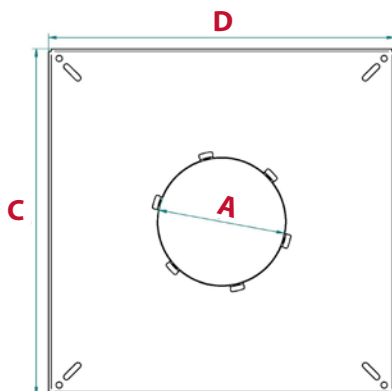
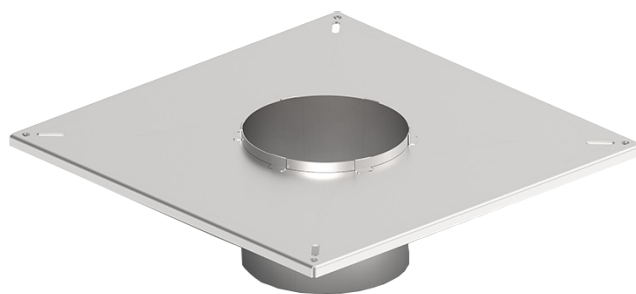
Suitable for chimney fan model:  
RS009, RS255, RSV012, RSV200,  
RSVG200 and RSHT009



Product no.	Sales no.	Shape	Chimney width (mm)	A (mm)	B (mm)	C (mm)	D (mm)
FR2100	FR2100	Square	Ø100	Ø97	113,8	310	310
FR2120	FR2120	Square	Ø120	Ø117	113,8	310	310
FR2125	FR2125	Square	Ø125	Ø122	113,8	310	310
FR2130	FR2130	Square	Ø130	Ø127	113,8	310	310
FR2145	FR2145	Square	Ø145	Ø142	113,8	310	310
FR2150	FR2150	Square	Ø150	Ø147	113,8	310	310
FR2160	FR2160	Square	Ø160	Ø157	113,8	310	310
FR2175	FR2175	Square	Ø175	Ø172	113,8	310	310
FR2180	FR2180	Square	Ø180	Ø177	113,8	310	310
FR2190	FR2190	Square	Ø190	Ø187	113,8	310	310
FR2200	FR2200	Square	Ø200	Ø197	113,8	310	310
FR2225	FR2225	Square	Ø225	Ø247	113,8	310	310
FR2250	FR2250	Square	Ø250	Ø247	113,8	310	310

## FR3 Standard

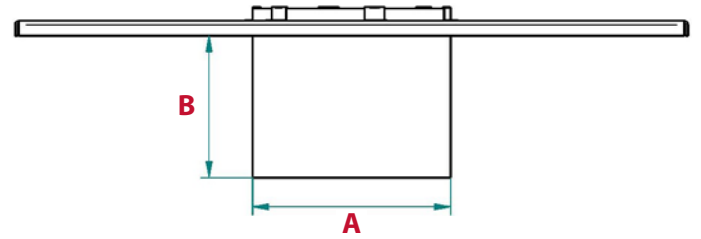
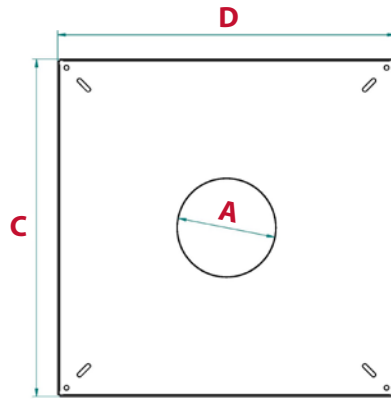
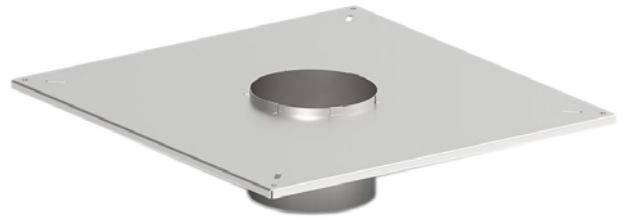
Suitable for chimney fan model:  
RS012, RS014, RS285, RSV014,  
RSV250, RSVG250, RSHG012,  
RSHG014, RSHT012 and RSHT014



Product no.	Sales no.	Shape	Chimney width (mm)	A (mm)	B (mm)	C (mm)	D (mm)
FR3125	FR3125	Square	Ø125	Ø122	113,8	395	395
FR3150	FR3150	Square	Ø150	Ø147	113,8	395	395
FR3160	FR3160	Square	Ø160	Ø157	113,8	395	395
FR3175	FR3175	Square	Ø175	Ø172	113,8	395	395
FR3180	FR3180	Square	Ø180	Ø177	113,8	395	395
FR3190	FR3190	Square	Ø190	Ø187	113,8	395	395
FR3200	FR3200	Square	Ø200	Ø197	113,8	395	395
FR3225	FR3225	Square	Ø225	Ø222	113,8	395	395
FR3250	FR3250	Square	Ø250	Ø247	113,8	395	395
FR3290	FR3290	Square	Ø290	Ø287	113,8	395	395
FR3300	FR3300	Square	Ø300	Ø297	113,8	395	395
FR3350	FR3350	Square	Ø350	Ø347	113,8	395	395

## FR4

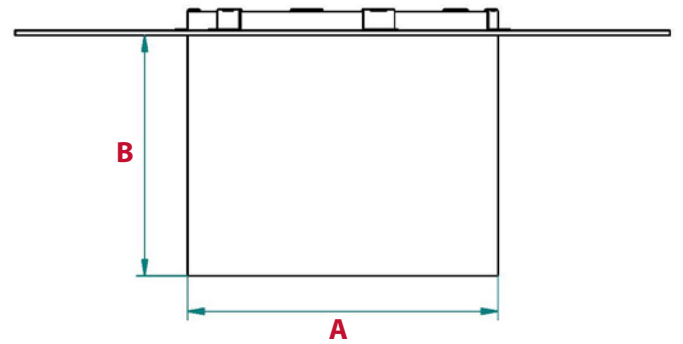
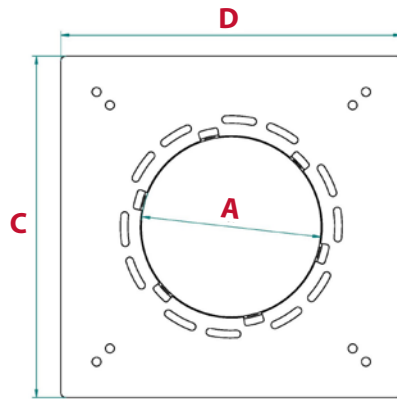
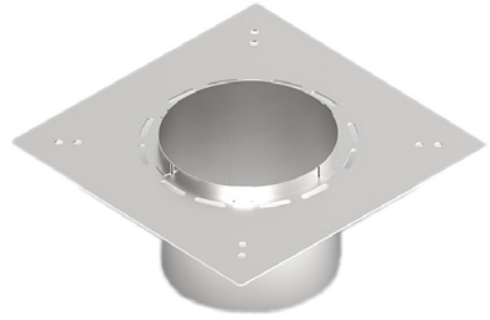
Suitable for chimney fan model:  
RS016, RSV016, RSV315, RSV400,  
RSV450, RSVG315 and RSHT016



Product no.	Sales no.	Shape	Chimney width (mm)	A (mm)	B (mm)	C (mm)	D (mm)
FR4150	FR4150	Square	Ø150	Ø147	113,8	500	500
FR4180	FR4180	Square	Ø180	Ø177	113,8	500	500
FR4200	FR4200	Square	Ø200	Ø197	113,8	500	500
FR4250	FR4250	Square	Ø250	Ø247	113,8	500	500
FR4300	FR4300	Square	Ø300	Ø297	113,8	500	500
FR4350	FR4350	Square	Ø350	Ø347	113,8	500	500
FR4400	FR4400	Square	Ø400	Ø397	113,8	500	500
FR4450	FR4450	Square	Ø450	Ø447	113,8	500	500

## FR1 With drainage

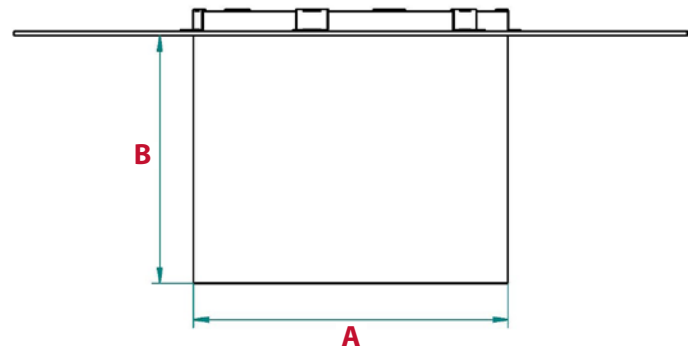
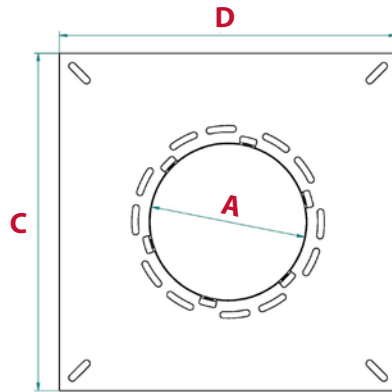
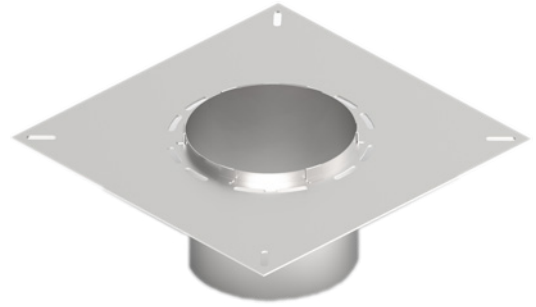
Suitable for chimney fan model:  
RSV009 and RSV160



Product no.	Sales no.	Shape	Chimney width (mm)	A (mm)	B (mm)	C (mm)	D (mm)
7100001	FR1150D	Square	Ø150	Ø145	113,8	272	272
7100002	FR1190D	Square	Ø190	Ø185	113,8	272	272
7100003	FR1200D	Square	Ø200	Ø195	113,8	272	272

## FR2 With drainage

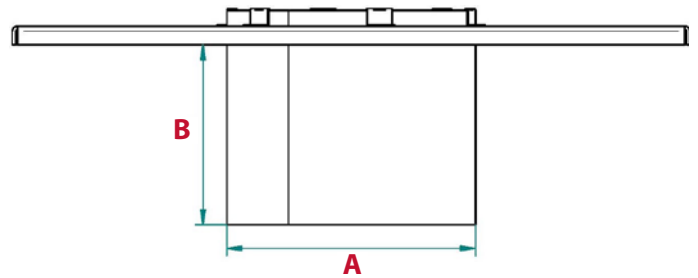
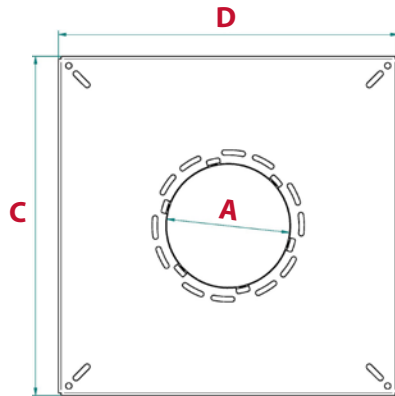
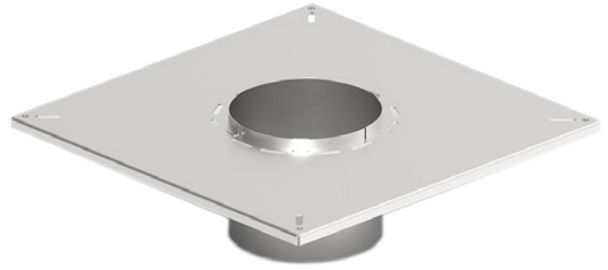
Suitable for chimney fan model:  
RS009, RS255, RSV012, RSV200,  
RSVG200 and RSHT009



Product no.	Sales no.	Shape	Chimney width (mm)	A (mm)	B (mm)	C (mm)	D (mm)
7100004	FR2150D	Square	Ø150	Ø145	113,8	310	310
7100005	FR2190D	Square	Ø190	Ø185	113,8	310	310
7100006	FR2200D	Square	Ø200	Ø195	113,8	310	310

## FR3 With drainage

Suitable for chimney fan model:  
RS012, RS014, RS285, RSV014,  
RSV250, RSVG250, RSHG012,  
RSHG014, RSHT012 and RSHT014

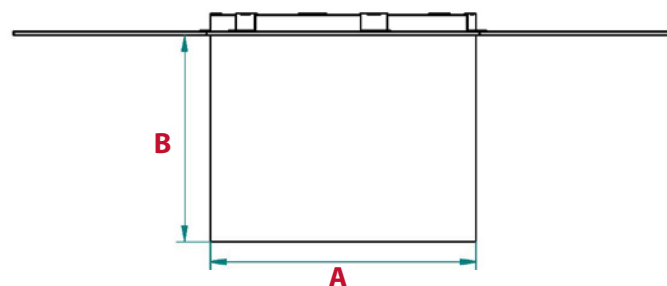
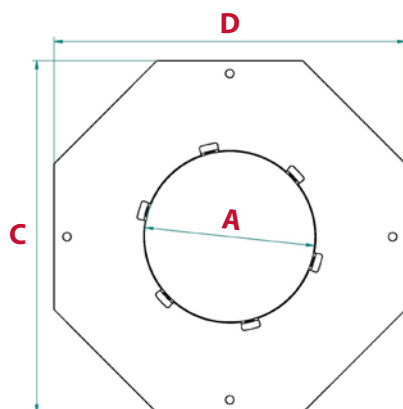
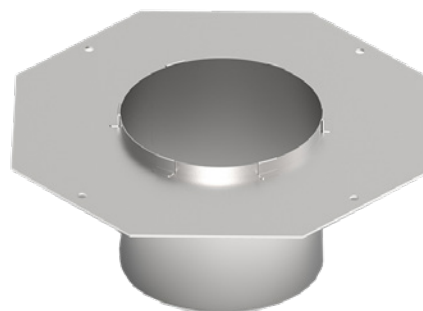


Product no.	Sales no.	Shape	Chimney width (mm)	A (mm)	B (mm)	C (mm)	D (mm)
7100007	FR3150D	Square	Ø150	Ø145	113,8	395	395
7100008	FR3190D	Square	Ø190	Ø185	113,8	395	395
7100009	FR3200D	Square	Ø200	Ø195	113,8	395	395



## FR2-02 & FR3-02

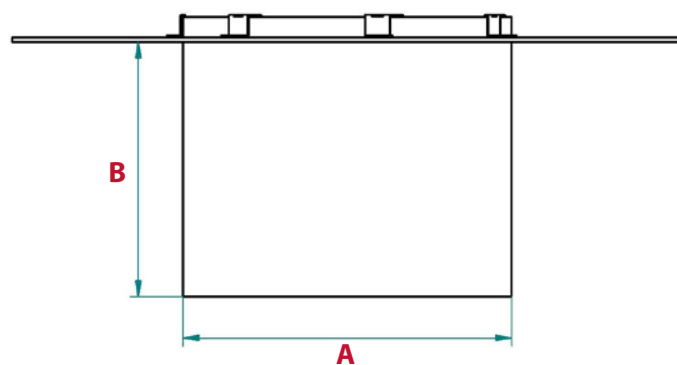
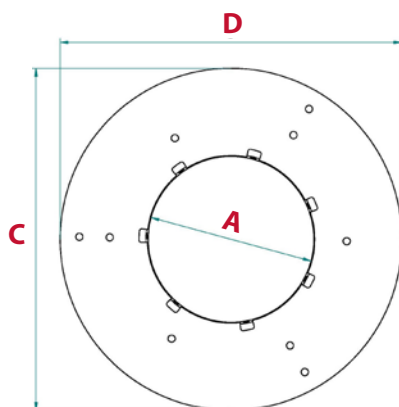
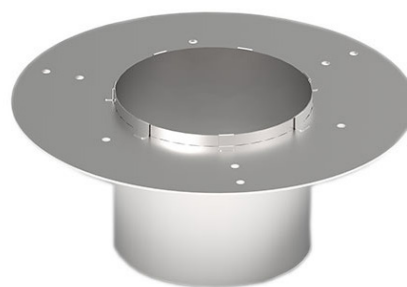
Suitable for chimney fan model:  
RS009-02 (for FR2) and  
RS012-02 (for FR3)



Product no.	Sales no.	Shape	Chimney width (mm)	A (mm)	B (mm)	C (mm)	D (mm)
FR2100-02	FR2100-02	Octagonal	Ø100	Ø97	113,8	310	310
FR2125-02	FR2125-02	Octagonal	Ø125	Ø122	113,8	310	310
FR2145-02	FR2145-02	Octagonal	Ø145	Ø142	113,8	310	310
FR2150-02	FR2150-02	Octagonal	Ø150	Ø147	113,8	310	310
FR2175-02	FR2175-02	Octagonal	Ø175	Ø172	113,8	310	310
FR2180-02	FR2180-02	Octagonal	Ø180	Ø177	113,8	310	310
FR2185-02	FR2185-02	Octagonal	Ø185	Ø182	113,8	310	310
FR2190-02	FR2190-02	Octagonal	Ø190	Ø187	113,8	310	310
FR2200-02	FR2200-02	Octagonal	Ø200	Ø197	113,8	310	310
FR2250-02	FR2250-02	Octagonal	Ø250	Ø247	113,8	310	310
FR3150-02	FR3150-02	Octagonal	Ø150	Ø147	113,8	395	395
FR3190-02	FR3190-02	Octagonal	Ø190	Ø187	113,8	395	395
FR3200-02	FR3200-02	Octagonal	Ø200	Ø197	113,8	395	395
FR3250-02	FR3250-02	Octagonal	Ø250	Ø247	113,8	395	395
FR3315-02	FR3315-02	Octagonal	Ø315	Ø312	113,8	395	395

## FR5

Suitable for chimney fan model:  
RHG160



Product no.	Sales no.	Shape	Chimney width (mm)	A (mm)	B (mm)	C (mm)	D (mm)
7100012	FR5100	Round	Ø100	Ø97	113,8	Ø300	Ø300
7100013	FR5125	Round	Ø125	Ø122	113,8	Ø300	Ø300
7100014	FR5150	Round	Ø150	Ø147	113,8	Ø300	Ø300