

## FRxAFD

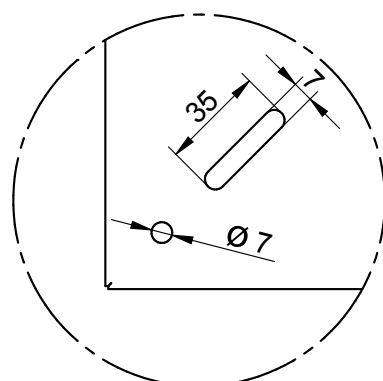
### - cover plate for rockwool mat

A cover plate from **exodraft** allows you to cover the soundproofing rockwool mat under the chimney fan for a more aesthetically pleasing look while protecting it from weather influences and animals. The cover plate also comes with an insert sleeve for mounting a temperature sensor, if you have an **exodraft** control unit with temperature monitoring.

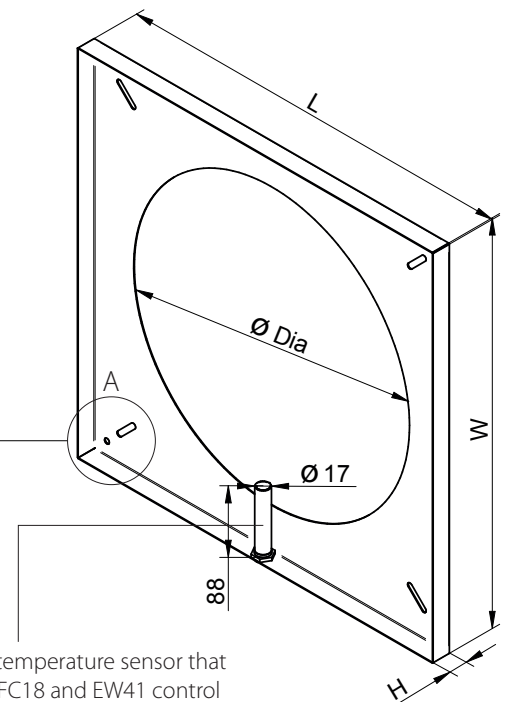
without the use of a flange (for mounting on brick chimneys, we recommend using our vibration dampers type RSD).

The cover plates are made from galvanised steel, making them very robust and weather-proof. They are painted in chimney fan paint (corresponding to RAL 7021) for an overall cohesive look.

The **exodraft** cover plates are suitable for both brick and steel chimneys. FRxAFD versions are for use on steel chimneys and match the **exodraft** flange for RSV chimney fans. FRxAFD-001 versions are for use on brick chimneys and can go straight on the chimney



DETAIL A



Sleeve for holding the temperature sensor that comes with **exodraft** EFC18 and EW41 control units.

**exodraft a/s**

C. F. Tietgens Boulevard 41  
5220 Odense SØ  
Denmark

[www.exodraft.com](http://www.exodraft.com)

Type	LxWxH (mm)	∅ Dia (mm)	Material	RAL colour
FR1AFD	252x252x35	197	Galvanised steel	7021 (black grey), brilliance 20
FR1AFD-001	252x252x24.5	197	Galvanised steel	7021 (black grey), brilliance 20
FR2AFD	322x322x35	247	Galvanised steel	7021 (black grey), brilliance 20
FR2AFD-001	322x322x24.5	247	Galvanised steel	7021 (black grey), brilliance 20
FR3AFD	407x407x35	347	Galvanised steel	7021 (black grey), brilliance 20
FR3AFD-001	407x407x24.5	347	Galvanised steel	7021 (black grey), brilliance 20
FR4AFD	512x512x35	397	Galvanised steel	7021 (black grey), brilliance 20
FR4AFD-001	512x512x24.5	397	Galvanised steel	7021 (black grey), brilliance 20

**FRxAFD** versions are intended for use on steel chimneys with one of our corresponding FR flanges.

**FRxAFD-001** versions are intended for use on brick / masonry chimneys and can be placed directly on the chimney with a layer of mineral wool between.

