



Frequency Converter FRK

As a frequency inverter the **exodraft** Frequency Converter generates from AC voltage an AC voltage variable in frequency and amplitude for direct supply of electrical machinery such as three-phase motors.

Frequency converters made by **exodraft** are used in conjunction with control EBC22/24

or EFC1 for variably regulating three-phase chimney and inline fans.

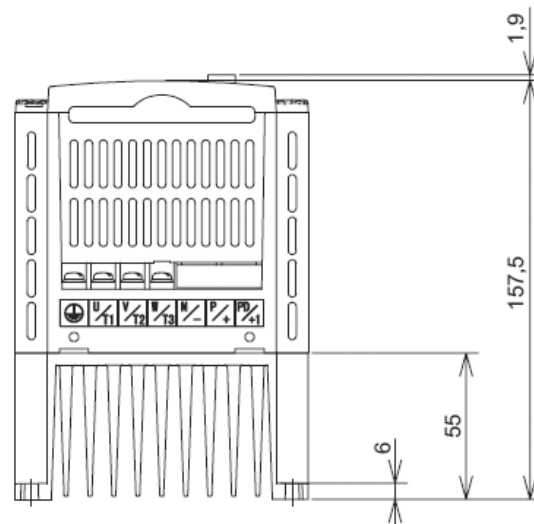
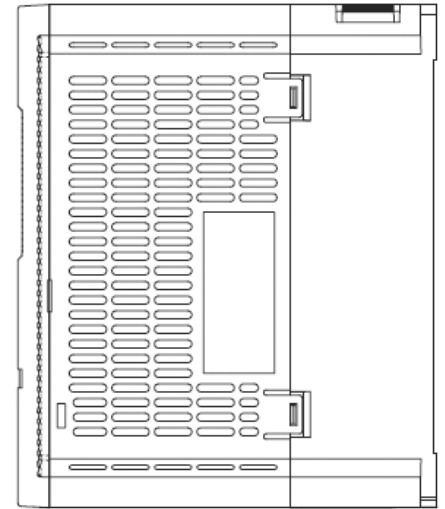
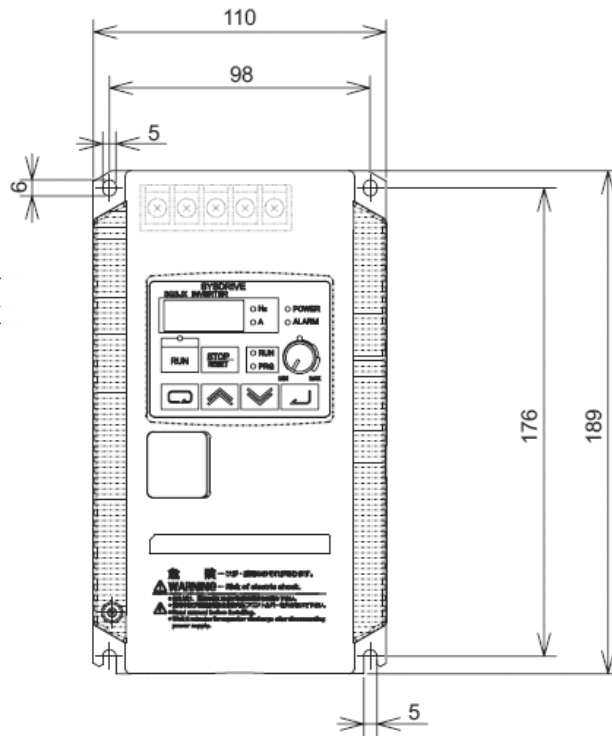
All **exodraft** frequency converters are pre-parameterized individually to the corresponding EC/PM motors, making them more efficient.

Item Number	Type	Description	Power supply
FRK-015	FRK-015	For chimney fan RSV400-4-2	1 x 230 V
FRK-016	FRK-016	For chimney fan RSV450-4-2	1 x 230 V
FRK-017	FRK-017	For 2x chimney fan RSV400-4-2	1 x 230 V
FRK-019	FRK-019	For chimney fan RSV400-4-2	3 x 400 V
7500082	FRK-030	For inline fan CFIR200, Density class IP20	1 x 230 V
7500083	FRK-031	For inline fan CFIR200, Density class IP66	1 x 230 V
7500084	FRK-032	For inline fan CFIR300, Density class IP20	3 x 400 V
7500085	FRK-033	For inline fan CFIR300, Density class IP66	3 x 400 V
7500086	FRK-034	For inline fan CFIR400, Density class IP20	3 x 400 V
7500087	FRK-035	For inline fan CFIR400, Density class IP66	3 x 400 V
7500088	FRK-036	For inline fan CFIR500, Density class IP20	3 x 400 V
7500089	FRK-037	For inline fan CFIR500, Density class IP66	3 x 400 V

Technical Data

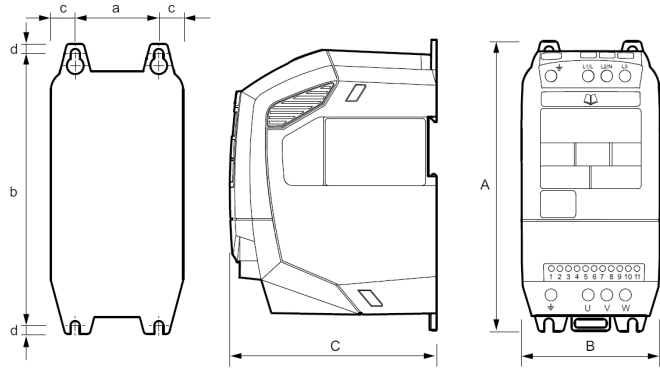
Dimensions

- FRK015
- FRK016
- FRK017
- FRK019



Dimensions

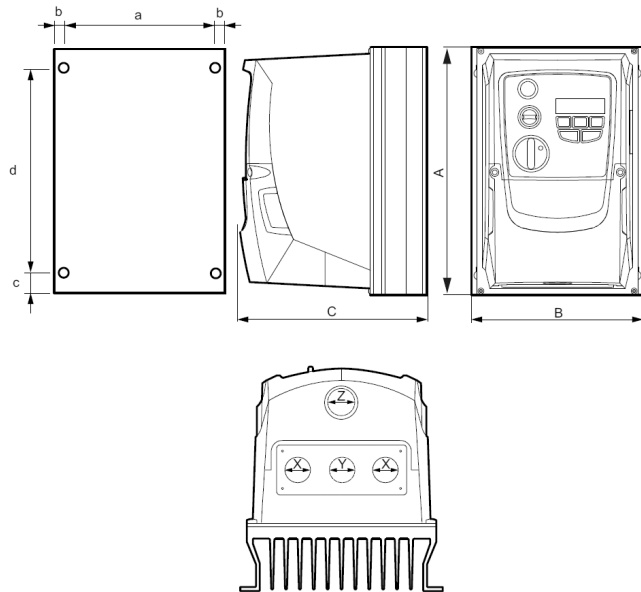
- FRK-030
- FRK-032
- FRK-034
- FRK-036



TYPE	A (mm)	B (mm)	C (mm)	a (mm)	b (mm)	c (mm)	d (mm)	Recommended screws
FRK-030 FRK-032	173	83	123,5	50	162	16	6	4 x M4
FRK-034 FRK-036	221	110	150	63	209	23,5	6	4 x M4

Dimensions

- FRK-031
- FRK-033
- FRK-035
- FRK-037



TYPE	A (mm)	B (mm)	C (mm)	a (mm)	b (mm)	c (mm)	d (mm)	Recommended screws
FRK-031 FRK-033	232	161	179	148,5	6,25	25	189	4 x M4
FRK-035 FRK-037	257	187	186,5	176	6	28,5	200	4 x M4