

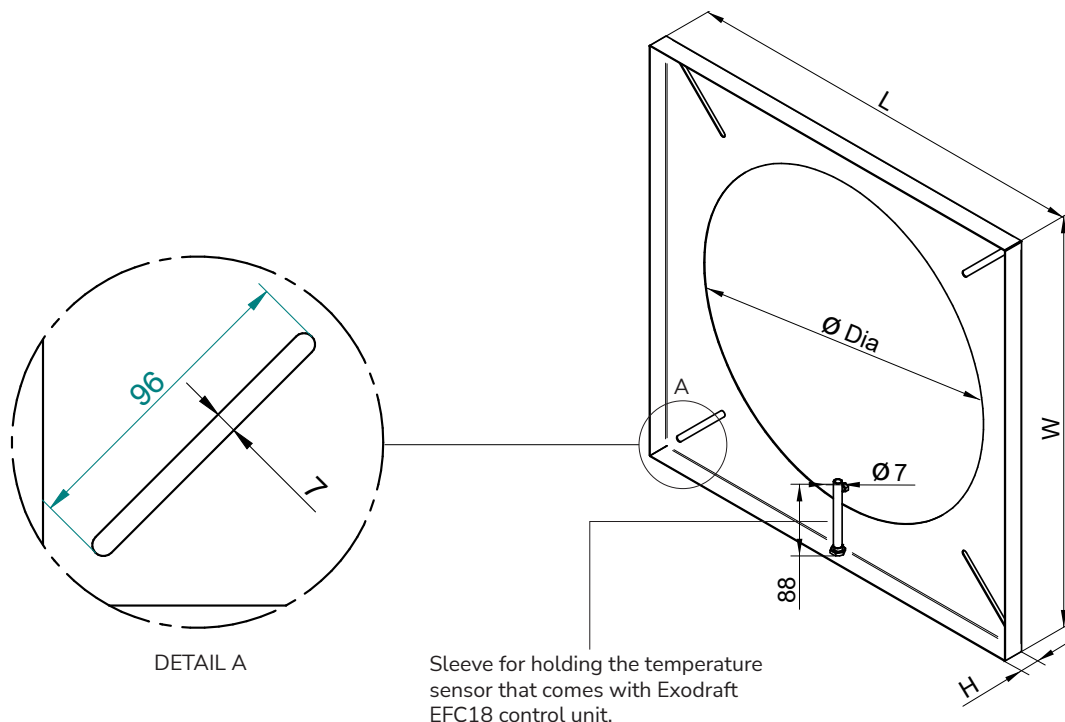
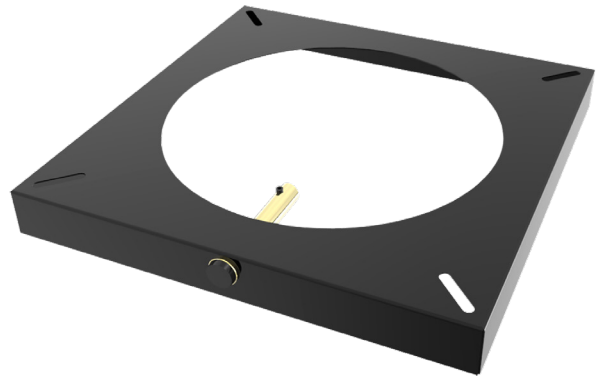
Cover plate

FRxAFD6

A cover plate from Exodraft allows you to cover the soundproofing rockwool mat under the chimney fan for a more aesthetically pleasing look while protecting it from weather influences and animals. The cover plate also comes with an insert sleeve for mounting a temperature sensor, if you have an Exodraft control unit with temperature monitoring.

The Exodraft cover plates are suitable for both brick and steel chimneys. FRxAFD6 versions are for use on steel chimneys and match the Exodraft flange for RSV chimney fans. FRxAFD6-001 versions are for use on brick chimneys and can go straight on the chimney without the use of a flange (for mounting on brick chimneys, we recommend using our vibration dampers type RSD).

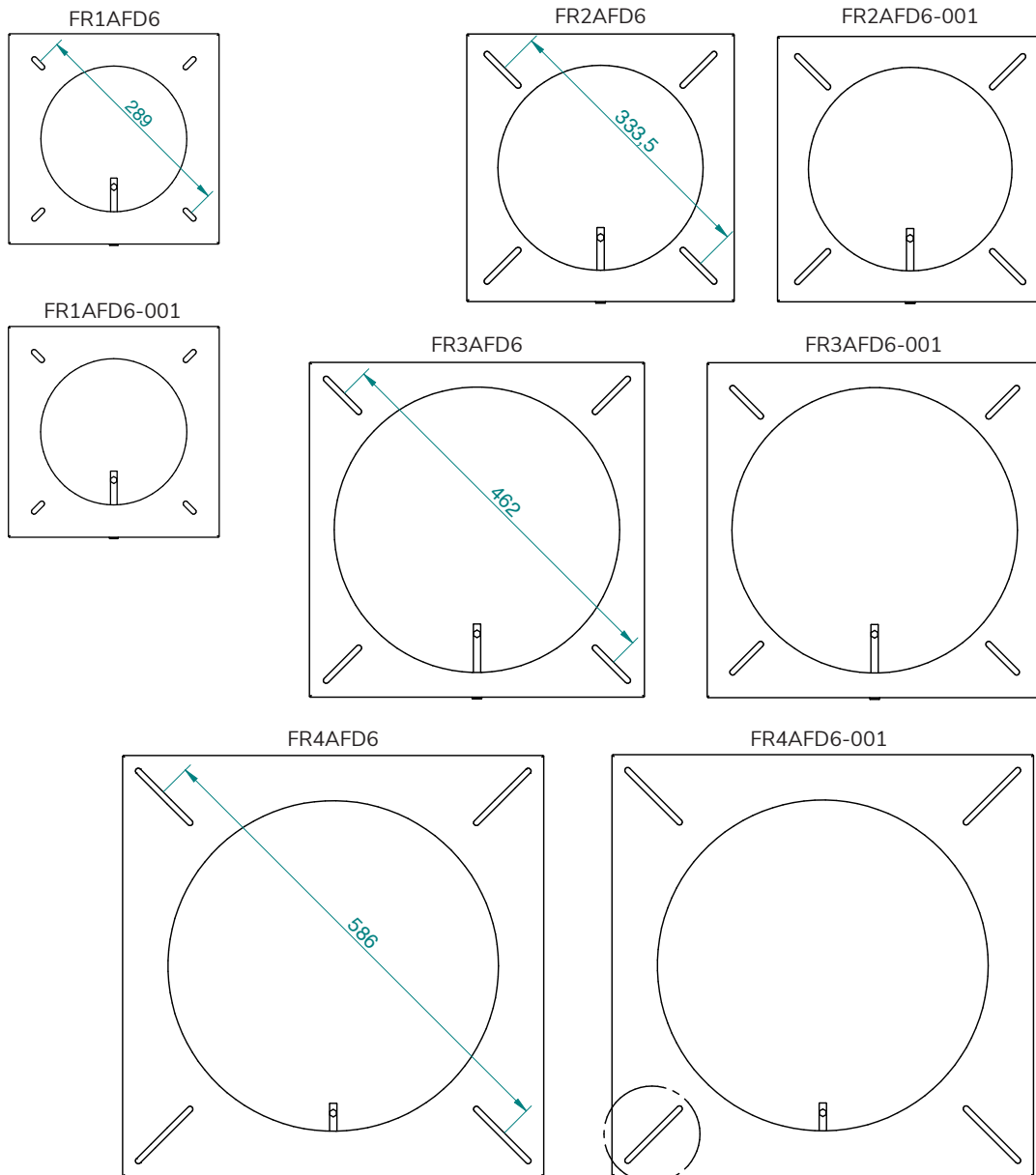
The cover plates are made from galvanised steel, making them very robust and weatherproof. They are painted in chimney fan paint (corresponding to RAL 7021) for an overall cohesive look.



Type	L x W x H (mm)	ø Dia (mm)	Material	RAL colour
FR1AFD6	284 x 284 x 35	197	Galvanised steel	7021 (black grey), brilliance 20
FR1AFD6-001	284 x 284 x 24,5	197	Galvanised steel	7021 (black grey), brilliance 20
FR2AFD6	322 x 322 x 35	247	Galvanised steel	7021 (black grey), brilliance 20
FR2AFD6-001	322 x 322 x 24,5	247	Galvanised steel	7021 (black grey), brilliance 20
FR3AFD6	407 x 407 x 35	347	Galvanised steel	7021 (black grey), brilliance 20
FR3AFD6-001	407 x 407 x 24,7	347	Galvanised steel	7021 (black grey), brilliance 20
FR4AFD6	512 x 512 x 35	402	Galvanised steel	7021 (black grey), brilliance 20
FR4AFD6-001	512 x 512 x 24,5	402	Galvanised steel	7021 (black grey), brilliance 20

FRxAFD6 versions are intended for use on steel chimneys with one of our corresponding FR flanges.

FRxAFD6-001 versions are intended for use on brick / masonry chimneys and can be placed directly on the chimney with a layer of mineral wool between.



A