

Flue Gas Particle Filter / Wood Stove Filter

ESP-10

Exodraft wood stove filter ESP-10 is an electrostatic flue gas particle filter designed to remove most of the hazardous ultrafine particles contained in the flue gasses from your wood stove or fireplace.

The electrostatic precipitator (ESP) comes with an automatic cleaning function which helps to maintain a high filtering efficiency while keeping maintenance requirements at a minimum.

Filtering effect:

95% reduction in number of particles

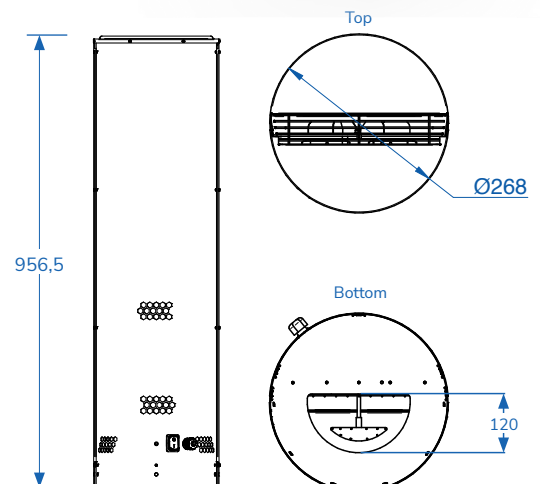
70-75% reduction in total particle mass

Model ESP-10

Application	Closed, wood-fired appliances
Fireplace performance range	2-10 kW
Min. ambient temperature	-20 °C
Max. flue gas temperature	400 °C
Max. ambient temperature	45 °C
IP	24D
Supply voltage	230 V AC / 50 Hz
Max. current	0.6 Amp
Power consumption in use	65 kW (AV)
Power consumption in standby	2 W
High voltage	30 kW
Testing done at	DIBt: Z-7.4-3536
Housing material	Black: Stainless steel, 1.4301 (304) 2R, paintet RAL 9005
	Steel: Stainless steel 1.4301 (304) 2R
Internal construction	Stainless steel 1.4404 (316L)
Min. distance to flammable material	500 mm
Mounting	Outside, on chimney top

Dimensions & weight

Chimney size - round	Ø150 - Ø200 mm
Chimney size - square (max.)	250 x 250 mm
Height	956 mm
Outer diameter	Ø268 mm
Weight (without adapter)	14 kg



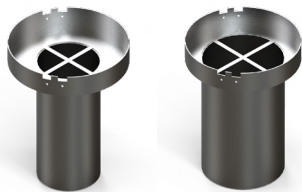
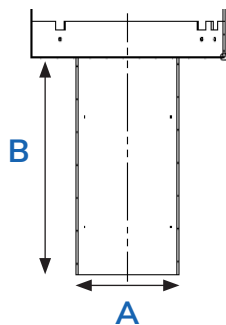
Mounting adapters, flanges and rainshield

Item nr.	Sales nr.	Description	Outer Ø of stud [mm] - (A)	Length of stud [mm] - (B)
7100019*	ESP-10-ADAPTER125	Adapter for ESP-10, Ø125	Ø118	295
7100000*	ESP-10-ADAPTER150	Adapter for ESP-10, Ø150	Ø139.7	295
7100010*	ESP-10-ADAPTER180	Adapter for ESP-10, Ø180	Ø168.3	295
7100011*	ESP-10-ADAPTER200	Adapter for ESP-10, Ø200	Ø193	295
7100020*	ESP-10-ADAPTER250	Adapter for ESP-10, Ø250	Ø243	295
7100015**	ESP-FR6125	Flange to Ø125 for ESP-10	Ø122	268
7100016**	ESP-FR6150	Flange to Ø150 for ESP-10	Ø147	268
7100017**	ESP-FR6180	Flange to Ø180 for ESP-10	Ø177	268
7100018**	ESP-FR6200	Flange to Ø200 for ESP-10	Ø197	268
7100021**	ESP-FR6250	Flange to Ø250 for ESP-10	Ø247	268
7300013	7300013	Rainshield for ESP10 (black painted stainless steel)		
7300014	7300014	Rainshield for ESP10 (brushed stainless steel)		

*Is always required for installation on the chimney (both brick and steel chimneys)

**Must only be used when mounting on a brick chimney

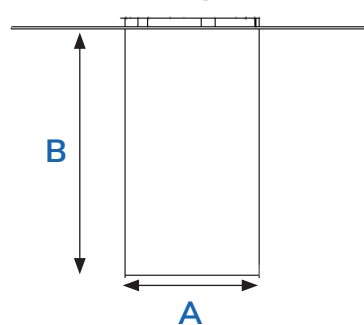
Adapter



Adapter

Adapters are available in sizes from Ø125mm to Ø250mm

Flanges



Flange

Adapters are available in sizes from Ø125mm to Ø250mm



Integrated brushstop
for chimney sweeps

Pipe to fit Ø125, Ø150, Ø180, Ø200 & Ø250 mm chimney



Rainshield

Protects against driving rain in the particle filter and chimney. Ø400 mm