

Heat Recovery unit CHR-P

Flue gas and process heat

The high-temperature heat recovery units CHR-P from **exodraft** recover unused energy from flue gases and process air.

The housing of the CHR-P consists of polished stainless steel 1.4571 and is provided against radiation losses with a highly insulating insulation.

The highly-efficient plate heat exchangers*, which consists of stainless steel and copper, is distinguished by its robustness and its efficient heat transmission. With its unique design, it ensures a very high efficiency.

The plate heat exchangers are quick and easy to remove for cleaning and maintenance, and inspection of the heat exchangers are made via an inspection opening in the heat recovery unit. Thus, reducing the maintenance work to a minimum of time.

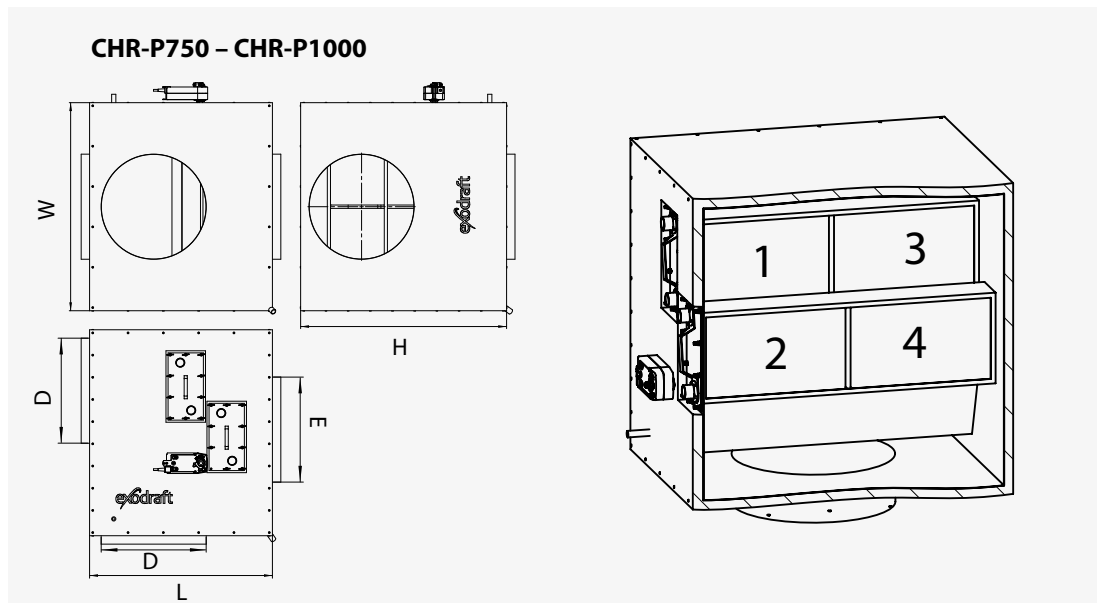
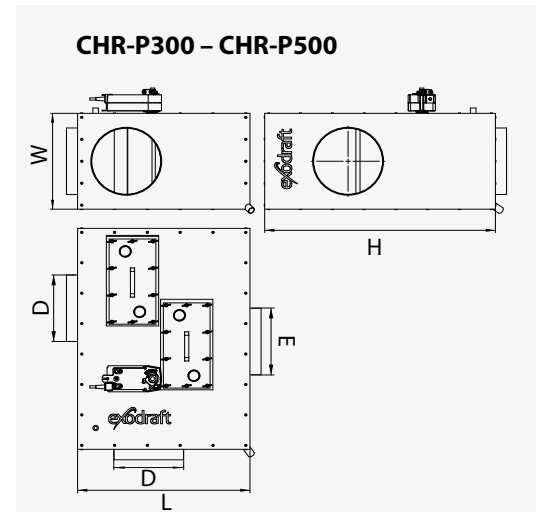
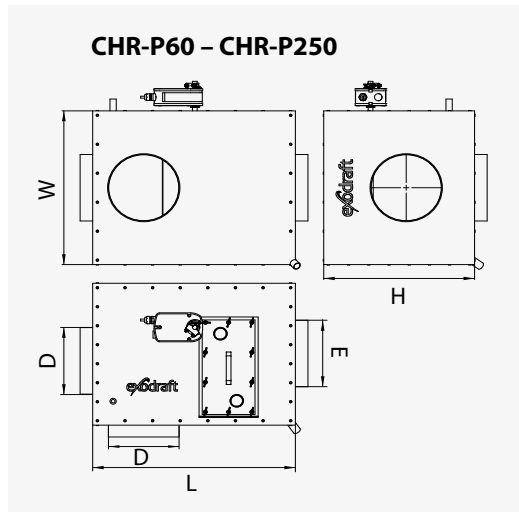
When no heat is required the hot flue gases or process air are passed through an integrated bypass. This bypass protects the system from overheating and is also activated if heat consumption no longer occurs.

The **exodraft** heat exchangers have a minimal space requirement due to their compact design.

Not suitable for solid fuel units (wood, coal, biomass, etc.).

*Corresponds to the Pressure Equipment Directive 97/23/EC

Technical Data



D = Muff coupling
E = Nipple coupling

Type	Performance		Number of heat exchangers	Flue gas connection D / E [mm]	Dimensions			Weight [kg]
	Burner output [kW]	Max flue gas temperature* [°C]			L	W	H	
CHR-P60-1-150BI	60	350	1	150	556	268	462	35
CHR-P80-1-180BI	80	350	1	180	556	333	462	42
CHR-P120-1-225BI	120	350	1	225	646	463	483	60
CHR-P250-1-250BI	250	350	1	250	646	528	483	70
CHR-P300-1-250BI	300	350	2	250	623	396	831	85
CHR-P400-1-300BI	400	350	2	300	673	461	881	107
CHR-P500-1-350BI	500	350	2	350	773	521	931	127
CHR-P750-1-400BI	750	350	4	400	873	861	931	225
CHR-P1000-1-500BI	1000	350	4	500	973	991	981	269

*Peak temperatures up to 400°C

Technical Data

Spring return actuators				
Type	Nominel Voltage	Power consumption		
		In operation [W]	At rest [W]	For wire sizing [VA]
CHR-P60-1-150BI	AC 230 V 50/60 Hz	5	3	7
CHR-P80-1-180BI	AC 230 V 50/60 Hz	5	3	7
CHR-P120-1-225BI	AC 230 V 50/60 Hz	5	3	7
CHR-P250-1-250BI	AC 230 V 50/60 Hz	5	3	7
CHR-P300-1-250BI	AC 230 V 50/60 Hz	5	3	7
CHR-P400-1-300BI	AC 230 V 50/60 Hz	6	2.5	9.5
CHR-P500-1-350BI	AC 230 V 50/60 Hz	6	2.5	9.5
CHR-P750-1-400BI	AC 230 V 50/60 Hz	6	2.5	9.5
CHR-P1000-1-500BI	AC 230 V 50/60 Hz	6	2.5	9.5