

## Heat Recovery unit CHR-P-S Steam/Water Vapour

The steam/water vapour heat recovery unit CHR-P-S from exodraft recovers energy in gaseous by bringing water into condensation. Its compact design and high efficiency are made possible by the incorporation of highly efficient plate heat exchangers.

Due to a self-cleaning effect the inspection intervals of the exodraft heat exchanger is reduced to a minimum.

### **The housing of the CHR-P-S**

The housing of the steam/water vapour heat exchanger CHR-P-S consists of a 2 mm stainless steel 1.4571 and is equipped with a 30 mm thick insulation against heat loss. For the derivation of the condensate, the front panel of the device has a condensate drain. The housing can only operate with low-pressure steam/water vapour.

Through a mutually mountable inspection opening an inspection of the plate heat exchanger is possible without dismantling.

### **The heat exchanger**

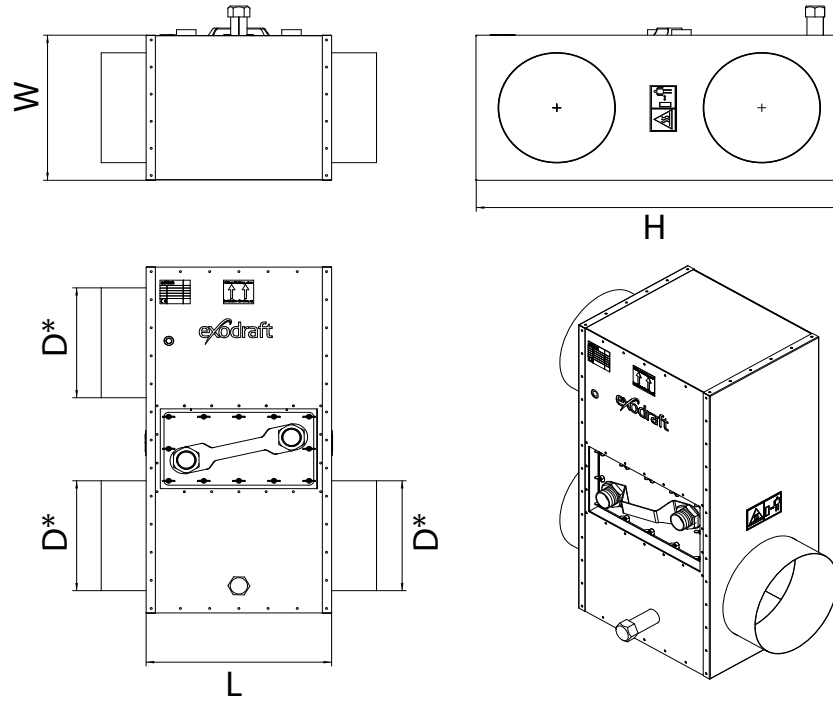
The heat exchanger is an industrially

manufactured, asymmetric insertion plate heat exchanger. Depending on performance, it consists of up to 140 stainless steel plates which are soldered with copper (standard) or nickel (Optional).

A safety temperature limiter (STB) to protect against overheating of the device must be mounted.

The heat exchanger complies with the Pressure Equipment Directive 97/23/EC-3 and is approved for an operating pressure of up to 16 bar on the liquid side.

## Technical Data



\*D = Muff coupling

Type	Max steam/water vapour temperatur [°C]	Number of heat exchangers	Pipe connection D* [mm]	Dimensions			Weight [kg]
				L	W	H	
CHRP-S60-1-150I	120	1	150	400	268	622	29
CHRP-S80-1-180I	120	1	180	400	333	682	36
CHRP-S120-1-225I	120	1	225	400	463	772	48
CHRP-S140-1-250I	120	1	250	400	528	822	55
CHRP-S100-2-250I	120	2	250	720	462	1098	78
CHRP-S120-2-300I	120	2	300	720	462	1198	92
CHRP-S140-2-350I	120	2	350	720	526	1298	104
CHRP-S120-4-400I	120	4	400	720	993	1398	185
CHRP-S140-4-500I	120	4	500	720	923	1598	207