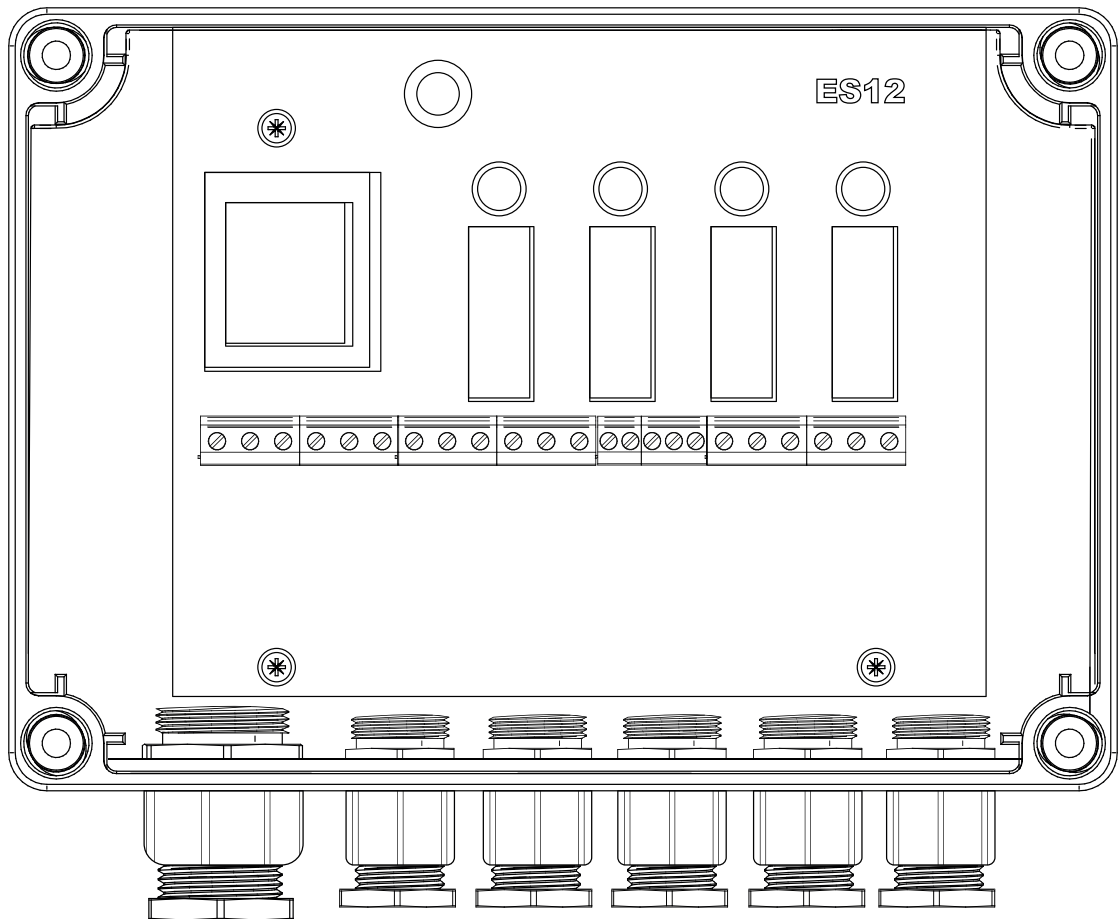
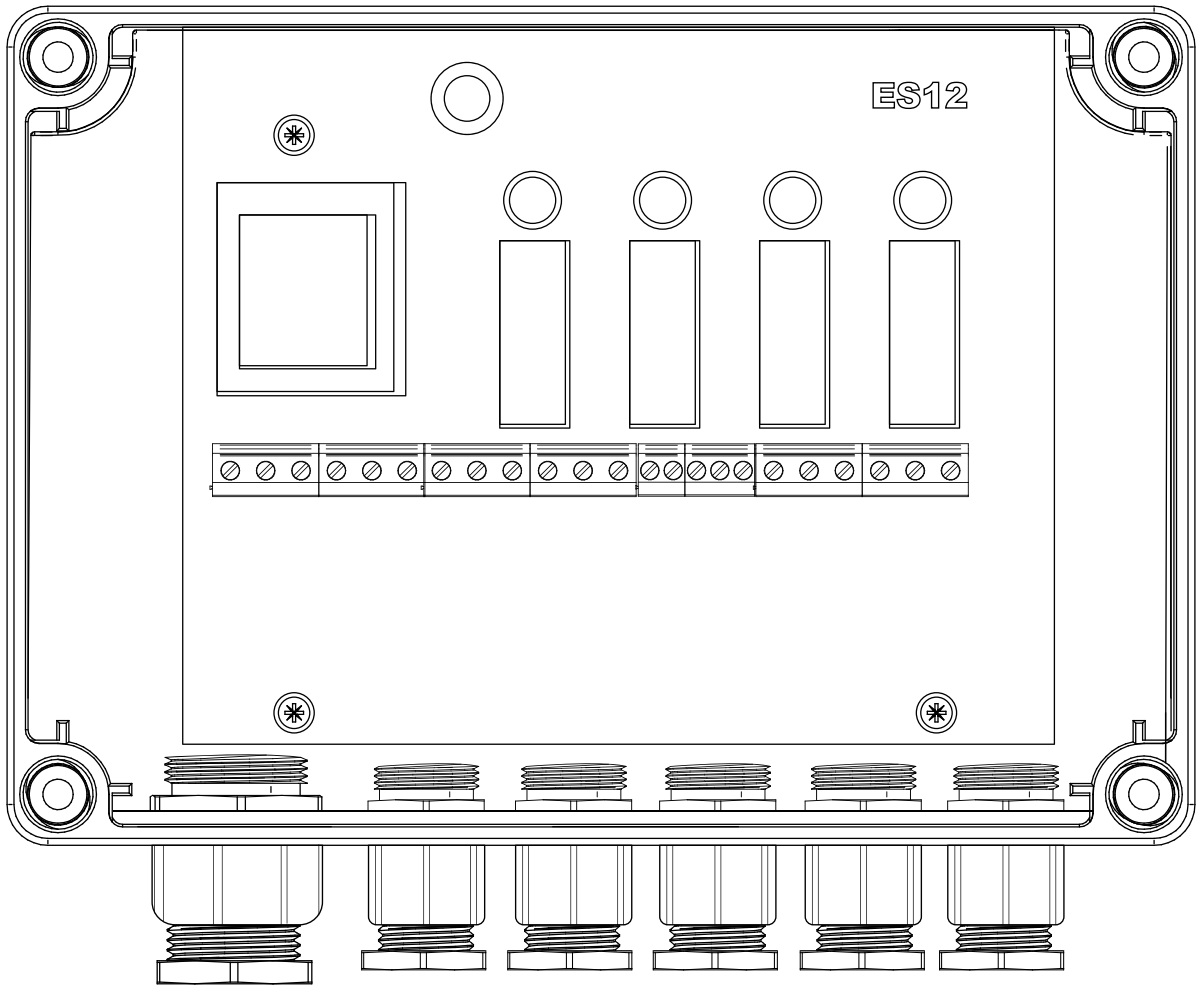


Relay Box

# ES12



UK | Read and save these instructions!



## Relay Box | ES12

# Content

---

<b>Product information</b>	<b>7</b>
Scope of supply	7
Accessories and spare parts	7
Technical specifications	9
<b>Installation</b>	<b>10</b>
Terminals ES12-EU-01	10
Connecting ES12 to EBC control	10
Installation example: two ES12 boxes connected to EBC control	11
<b>UK Conformity Assessed</b>	<b>12</b>
<b>Declaration of Conformity</b>	<b>13</b>



## How to use this manual

*This manual has been prepared based on the specific product and contains relevant technical information and installations guides.*

*Accessories and spare parts are not covered by this manual. Please refer to the individual manuals of these components.*

*This installation manual does not contain any system design documentation.*

*Failure to observe instructions marked with a danger symbol may result in personal injury and/or damage to the product.*

Errors and omissions excepted.



## Disposal

Electrical and electronic equipment (EEE) often contain materials, components and substances that may harm the environment or be hazardous to your health. Products (WEEE) marked with the 'crossed-out wheeled bin' symbol should be disposed of separately from other waste at the end of its life. Though legislation may differ from country to country we strongly advise that electrical and electronic waste is separated from other waste and disposed of according to national legislation to protect the environment and personnel that may come into contact with waste.

# Symbols

The following symbols may be used in the manual to draw attention to danger or risk of personal injury or damage to the product.



## General prohibition

Failure to observe instructions marked with the prohibited symbol may result in extreme danger or serious personal injury.



## General attention

Marks a dangerous situation that, in the worst-case scenario, can cause serious personal injury or significant damage to the product.



## General warning

Failure to observe instructions marked with a danger symbol may result in personal injury and/or damage to the product.



## Electricity hazard/High Voltage

Marks a situation in which caution is advised due to the risk of high voltage electric shock which can cause serious personal injury or significant damage to the product.



## Connect an earth terminal to the ground

Failure to observe instructions marked with a danger symbol may result in personal injury and/or damage to the product.



## Permitted and approved

Permitted and approved method of installation.



## Prohibited and not approved

Prohibited and not approved method of installation.



## Warning

**To minimise the risk of fire, electric shock, personal injury and/or damage to the product please observe the following:**

- Please always read the manual and only use the product in accordance with the manufacturer's instructions. If in doubt, contact one of the Exodraft specialized dealers.
- All installations must be carried out by properly qualified personnel in accordance with national legislation and regulations.
- This product must be earthed. Get assistance from an qualified electrician when in doubt.
- This product must always be disconnected under the installation.
- Prior to servicing the product, disconnect the power and ensure that it cannot accidentally be reconnected.
- Exodraft always recommends the use of a smoke alarm when a solid fuel open fire is installed.
- If the Exodraft fan system has been designed for solid fuel/multi fuel installations, please ensure that the design meets the requirements of BS EN15287-1. If this cannot be achieved, a smoke alarm must be installed in the same room as the heat appliance.

## Product information

ES12 is a relay box used for multiple boiler appliances with EBC control where intermittent operation of the chimney fan (On/Off) is required.

Provided that one of the four thermostat inputs is being activated, the relay box – with the EBC control – will control the chimney draught. In case of a fault, the EBC control will cut out the relay box ES12 including all connected boilers

The relay box is part of an Exodraft system and should be connected to an Exodraft controller for optimal effect.

Incorrect firing may result in problems with soot, chimney fires, etc. which might damage the product. Please check out this site for advice about lighting and maintaining a fire:

[www.exodraft.com](http://www.exodraft.com)

## Scope of supply

- Exodraft ES12 relay box
- Power cable

## Accessories and spare parts

The table below shows the accessories and spare parts available for the ES12-model.

---

### Accessories\*

---

EBC control

---

Power cable

---

\*This manual does not describe the specific use of accessories. We refer to the separate manuals for such components.

For more details contact your Exodraft dealer.

## Warranty

All Exodraft products are covered by a 2-year guarantee as per European consumer rights legislation. For some countries an extended period of guarantee may apply depending on either national legislation or other clearly stipulated conditions. Customer complaints must be handled by a specialised dealer or wholesaler (preferably where the Exodraft product has been bought originally). An updated list of Exodraft specialised dealers can be found on our website for the country in question.

Exodraft products must always be installed by properly qualified personnel. Exodraft reserves the right to change these guidelines without prior notice.

The warranty and liability does not cover instances regarding personal injury or damage to property or the product that can be ascribed to one or more of the following causes:

- Failure to follow this installation and operation manual
- Incorrect installation, start-up, maintenance or servicing
- Improper repairs
- Unauthorised structural modifications made to the product
- Installation of additional components that have not been tested/approved with the product
- Any damage resulting from continued use of the product despite an evident defect
- Failure to use original spareparts and accessories
- Failure to use the product as intended
- Exceeding or failure to meet the limit values in the technical data
- Force majeure



## Technical specifications

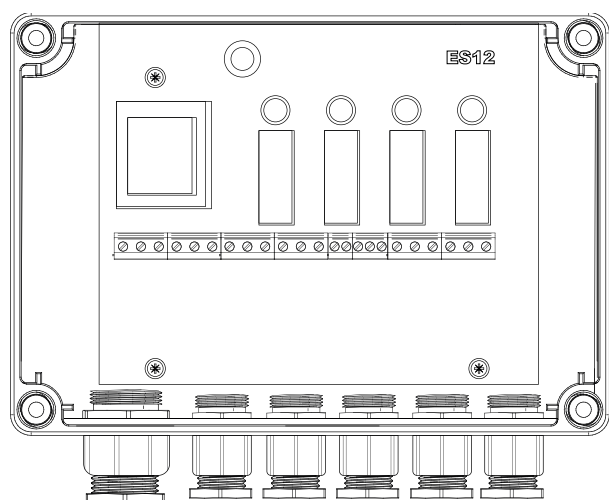
### Function

When one of the four boilers calls for heat, the chimney fan starts by means of the ES12 and EBC control. By sufficient chimney draught, the boiler(s) are released for operation. If the draught falls under minimum, all boilers will stop.

On and off operation of the four boilers can take place independently.

All in- and outputs have a LED for fail-safe supervision and servicing the system.

### Technical data



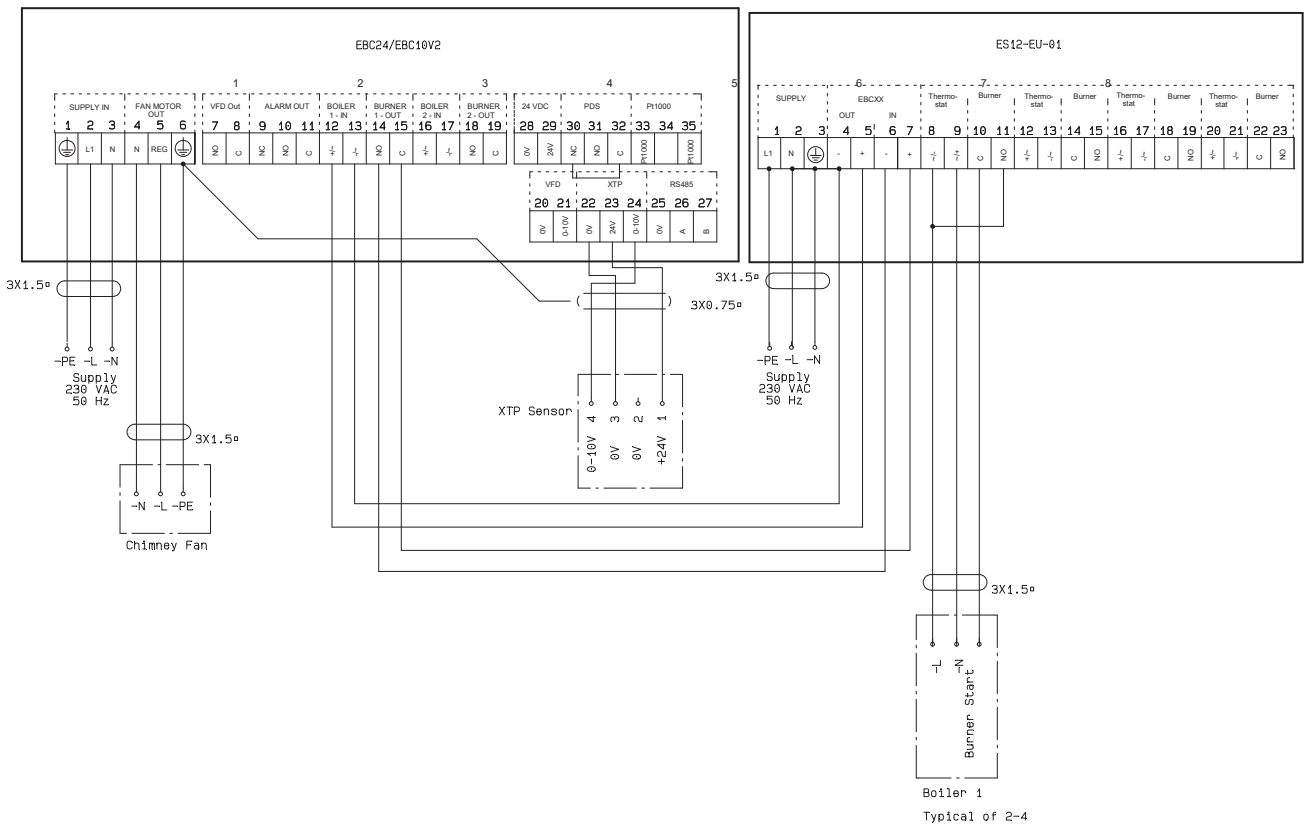
Data	ES12 Relay Box
H x W x D [mm]	125 x 175 x 75
Degree of protection	IP54
Material	ABS box and polycarbonate cover
Supply voltage	230 V AC $\pm$ 10 %
Ambient temperature	-20 °C to 50 °C
Boiler output relay	Max. 8 A/230 V

# Installation

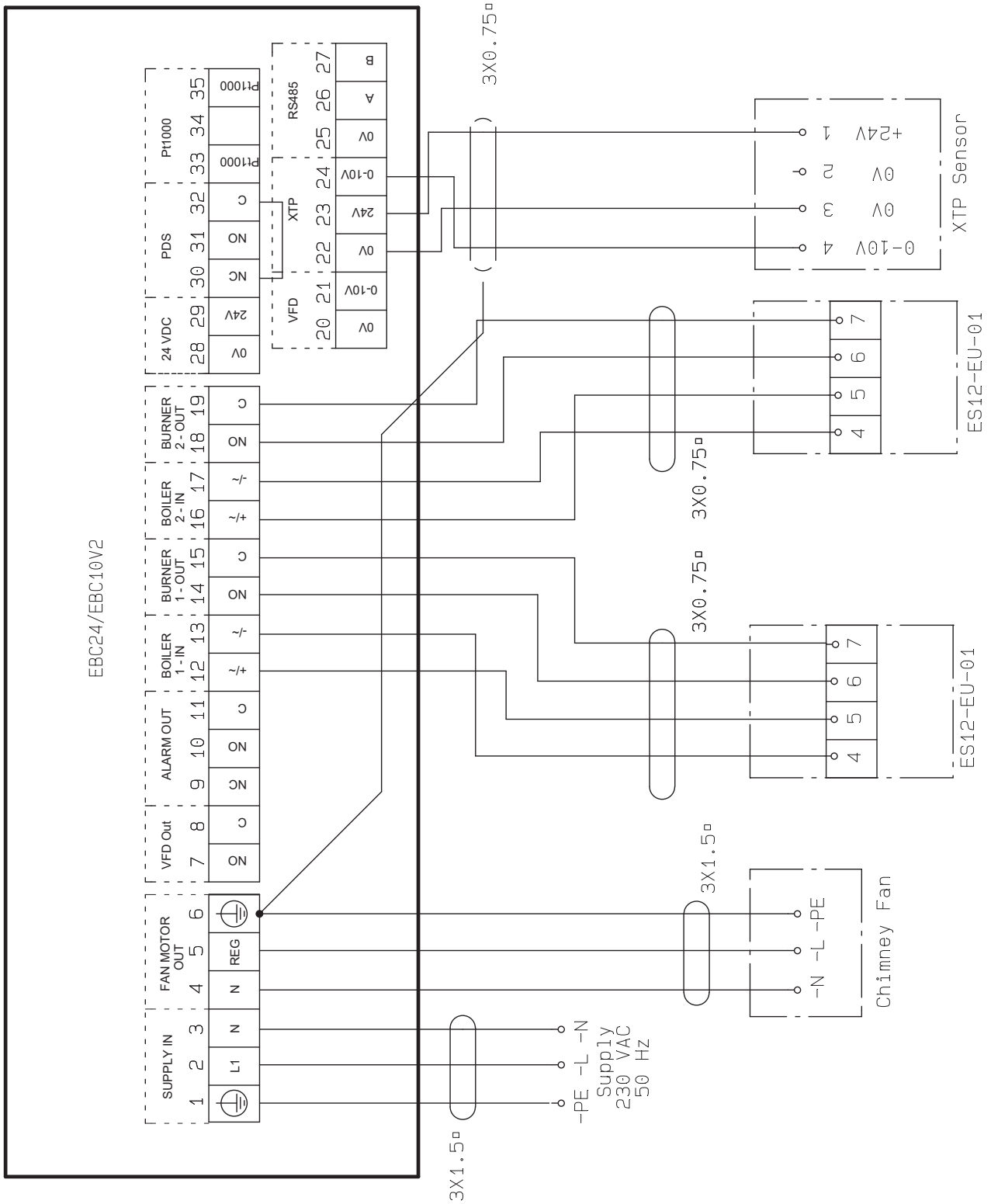
## Terminals ES12-EU-01

1. Supply L1
2. Supply N
3. Supply PE
4. Voltage signal (-) to thermostat input EBC control
5. Voltage signal (+) to thermostat input EBC control
6. Release from EBC control
7. Release from EBC control
8. Boiler thermostat 1. Opto coupler (-) (10-230 V AC / DC)
9. Boiler thermostat 1. Opto coupler (+) (10-230 V AC / DC)
10. Burner 1 relay switch Common
11. Burner 1 relay switch Normally Open
12. - 23. Boiler thermostat 2 - 4

## Connecting ES12 to EBC control



### Installation example: two ES12 boxes connected to EBC control





**UK Conformity Assessed**

---



**Exodraft a/s  
Industrivej 10  
DK-5550 Langeskov**

---

Hereby declares that the following products:

---

ES12-EU-01

---

Were manufactured in conformity with the provisions of the following regulations:

---

**The Supply of Machinery (Safety) Regulations 2008**

**Electrical Equipment (Safety) Regulations 2016**

**Electromagnetic Compatibility Regulations 2016**

---

Langeskov, 01-11-2022  
Managing Director  
*Anders Haugaard*



## Declaration of Conformity

DK: EU-Overensstemmelseserklæring  
 GB: Declaration of Conformity  
 DE: EU-Konformitätserklärung  
 FR: Déclaration de conformité de l'Union Européenne  
 NO: EU-Samsvarserklæring  
 PL: EU Deklaracja zgodności

NL: EU-Conformiteits verklaring  
 SE: EU-Överensstämmelsedeklaration  
 FI: EU-Vaatimustenmukaisuusvakuutus  
 IS: ESS-Samræmisstaðfesting  
 IT: Dichiarazione di Conformità Unione Europea



**Exodraft a/s**  
**Industrivej 10**  
**DK-5550 Langeskov**

Erklærer på eget ansvar, at følgende produkter:  
 Hereby declares that the following products:  
 Erklärt hierdurch auf eigene Verantwortung, daß folgende Produkte:  
 Déclare, sous sa propre responsabilité, que les produits suivants:  
 Erklærer på eget ansvar at følgende produkter:  
 Niniejszym oświadczam, że następujące produkty:

Veklaart dat onderstaande producten:  
 Deklarerar på eget ansvar, att följande produkter:  
 Vastaa siltä, että seuraava tuote:  
 Staðfesti à eigin àbyrgð, að eftirfarandi vörur:  
 Dichiaro con la presente che i seguenti prodotti:

ES12-EU-01

Som er omfattet af denne erklæring, er i overensstemmelse med følgende standarder:  
 Were manufactured in conformity with the provisions of the following standards:  
 Die von dieser Erklärung umfaßt sind, den folgenden Normen:  
 Auxquels s'applique cette déclaration sont en conformité avec les normes ci-contre:  
 Som er omfattet av denne erklæring, er i samsvar med følgende standarder:  
 Zostały wyprodukowane zgodnie z warunkami określonymi w następujących normach:

Zijn vervaardigd in overeenstemming met de voorschriften uit de hieronder genoemde normen en standaards:  
 Som omfattas av denna deklaration, överensstämmer med följande standarder:  
 Jota tämä selvitys koskee, on seuraavien standardien mukainen:  
 Sem eru meðtalin í staðfestingu Pessari, eru í fullu samræmi við eftirtalda staðla:  
 Sono stati fabbricati in conformità con le norme degli standard seguenti:

### EN 60335-1, EN 60335-2-80, DS/EN ISO 12100: 2011

I.h.t bestemmelser i direktiv:  
 In accordance with  
 Entsprechen gemäß den Bestimmungen der folgenden Richtlinien:  
 Suivant les dispositions prévues aux directives:  
 I.h.t bestemmelser i direktiv:  
 Zgodnie z:

En voldoen aan de volgende richtlijnen:  
 Enligt bestämmelserna i följande direktiv:  
 Seuraavien direktiivien määräysten mukaan:  
 Med tilvisun til ákvarðana eftirlits:  
 In conformità con le direttive:

Maskindirektivet:  
 The Machinery Directive:  
 Richtlinie Maschinen:  
 Directive Machines:  
 Maskindirektivet:  
 Dyrektywę maszynową:

De machinerichtlijn:  
 Maskindirektivet  
 Konedirektiivi:  
 Vælaeftirlitið:  
 Direttiva Macchinari:

### 2006/42/EF-EEC/-EWG/-CEE

Lavspændingsdirektiv:  
 The Low Voltage Directive:  
 Niederspannungsrichtlinie:  
 Directive Basse Tension:  
 Lavspenningsdirektivet:  
 Dyrektywę Niskonapięciową

De laagspanningsrichtlijn:  
 Lågspänningsdirektivet:  
 Pienjännitedirektiivi:  
 Smáspennueftirlitið:  
 Direttiva Basso Voltaggio:

### 2014/35/EC

EMC-direktivet:  
 And the EMC Directive:  
 EMV-Richtlinie:  
 Directive Compatibilité Electromagnétique:  
 EMC-direktivet:  
 Dyrektywę EMC – kompatybilności elektromagnetycznej

En de EMC richtlijn:  
 EMC-direktivet:  
 EMC-direktiivi:  
 EMC-efirlitið:  
 Direttiva Compatibilità Elettromagnetica:

### 2014/30/EC

**Langeskov, 01-11-2022**  
 Adm. direktør  
 Managing Director  
 Anders Haugaard

Algemeen directeur  
 Geschäftsführender Direktor  
 Président Directeur Général  
 Verkställande direktör  
 Toimitusjohtaja  
 Framkvemdastjóri  
 Direttore Generale





## **DK: Exodraft a/s**

Industrivej 10  
DK-5550 Langeskov  
Tel: +45 7010 2234  
Fax: +45 7010 2235  
info@exodraft.dk  
www.exodraft.dk

## **SE: Exodraft a/s**

Valhallavägen 9A  
SE-375 30 Mörrum  
Tel: +46 (0)8-5000 1520  
info@exodraft.se  
www.exodraft.se

## **NO: Exodraft a/s**

Storgaten 88  
NO-3060 Svelvik  
Tel: +47 3329 7062  
info@exodraft.no  
www.exodraft.no

## **UK: Exodraft Ltd.**

24 Janes Meadow, Tarleton  
GB-Preston PR4 6ND  
Tel: +44 (0)1494 465 166  
Fax: +44 (0)1494 465 163  
info@exodraft.co.uk  
www.exodraft.co.uk

## **DE: Exodraft a/s**

Niederlassung Deutschland  
Industriestraße 14  
DE-55768 Hoppstädten-Weiersbach  
Tel: +49 6782 989 590  
Fax: +49 6782 989 5929  
info@exodraft.de  
www.exodraft.de

## **FR: Exodraft sas**

78, rue Paul Jozon  
FR-77300 Fontainebleau  
Tel: +33 (0)6 3852 3860  
info@exodraft.fr  
www.exodraft.fr

Your energy. Optimized.

The logo for Exodraft, featuring the word "exodraft" in a bold, lowercase sans-serif font. The letter "x" is stylized with a curved line that loops around the top and right sides of the letter.